



ECO-VALVE

Figure # 247AB

Low Lead Brass Swing Check Valve

Product Features

- 200# WOG
- Forge Brass Body
- Solder Ends
- Horizontal "T" pattern
- NSF-61-G & NSF-372 Certified



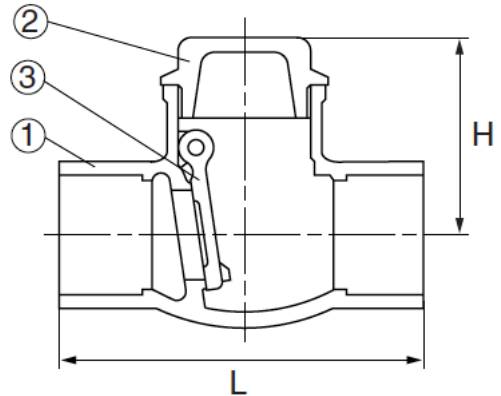
Certified to
ANSI/NSF 61



Pressure/Temperature Rating	
200# WOG	450°F Max. Temp

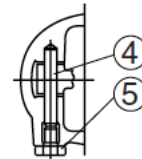
Materials & Specifications

Item	Description	Material	Specification
1	Body	Low Lead Brass	C28500
2	Cap	Low Lead Brass	C28500
3	Disc	Low Lead Brass	C28500
4	Pin	Low Lead Brass	C28500
5	Plug	Low Lead Brass	C28500



Dimensions, Weights (inches-lbs.) & Valve Data

Size	1/2	3/4	1	1-1/4	1-1/2	2	2-1/2"	3	4
H	1.37	1.52	1.74	2.00	2.33	2.79	3.42	3.64	4.34
L	2.20	2.91	3.40	3.86	4.48	5.51	6.29	7.00	9.42
Wt	1.10	1.25	1.55	2.00	2.65	3.40	4.85	7.45	12.25



RED-WHITE VALVE CORP.

20600 Regency Lane, Lake Forest, CA 92630

TEL: 949.859.1010 • FAX: 949.859.7200 • www.redwhitevalvecorp.com

(140624)