



PRAXIS

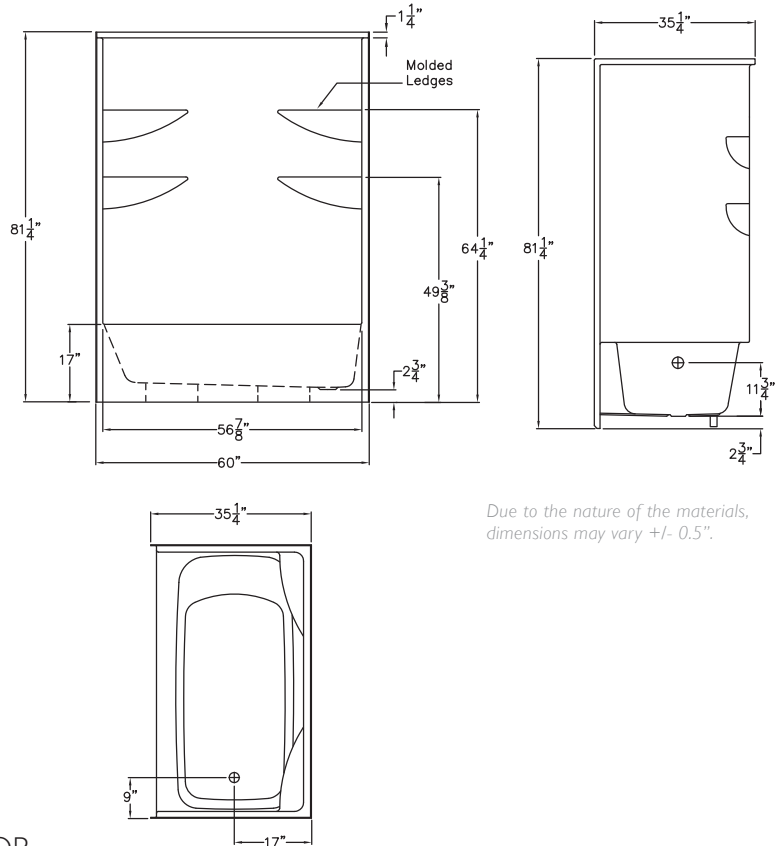
storage solutions

open-top & extra tall domed
premium thermal cast acrylic

A3460TSOT

60" x 35.25" x 81.25"

Enclosure: up to 56.875" x 63"



Due to the nature of the materials,
dimensions may vary +/- 0.5".

FEATURES

| FINISH | PRODUCT | PIECES | TOP |
|----------------------|------------|--------|------|
| Thermal Cast Acrylic | Tub Shower | One | Open |

OPTIONS

| WHIRLPOOL | CAST ACRYLIC COLORS | ACCESSORIES |
|-----------|---------------------|-------------|
| n/a | White, Biscuit | Drain |

TECHNICAL INFORMATION

| WT | LOAD FACTOR | HANDED BY | CODES |
|-----|-------------|-----------|----------------------------|
| 161 | 1.33 | Drain L/R | ANSI Z124.1, ANSI Z124.1.2 |

WARRANTY

Thermal Cast Acrylic - 5 Year Limited



HIGHEST GRADE
premium thermal
cast acrylic finish



MORE STORAGE
over 140 square inches
of shelving space,
120 square inches of
usable deck space



SMOOTH LEDGES
for easy bottle storage
placement

CUSTOMER SERVICE 800.443.7269

435 Industrial Road | Savannah, TN 38372 | Fax 731.925.4290 | www.praxiscompanies.com

Rev. 012017