

**P4C-730C**     **P4C-720C**     **P4C-700C**  
 **P4C-730CJP**     **P4C-720CJP**     **P4C-700CJP**



## Single Handle Tub & Shower Faucet

# Product Spec Sheet



### FEATURES & BENEFITS

- Metal Lever Handle
- Washerless Pressure Balancing Valve
- Slip Fit Diverter Spout
- Max Flow Rate 2.0 GPM (7.6 L/MIN) at 80 PSI (ASME A112.18.1M/A112.18.1)

#### APPROVALS:

Meets or Exceeds The Following:

- \* ANSI/ASME A112.18.1M/A112.18.1
- \* IAPMO/cUPC

P4C-730C  
Tub & Shower Faucet  
Chrome Finish

P4C-720C  
Shower Only Faucet  
Chrome Finish

P4C-700C  
Valve Only Faucet  
Chrome Finish

P4C-730CJP  
Trim Kit For Tub & Shower Faucet  
Chrome Finish

P4C-720CJP  
Trim Kit For Shower Only Faucet  
Chrome Finish

P4C-700CJP  
Trim Kit For Valve Only Faucet  
Chrome Finish



\* WaterSense Only On Models Containing Showerheads

**TEL:** 855-806-0688

**FAX:** 845-350-4043

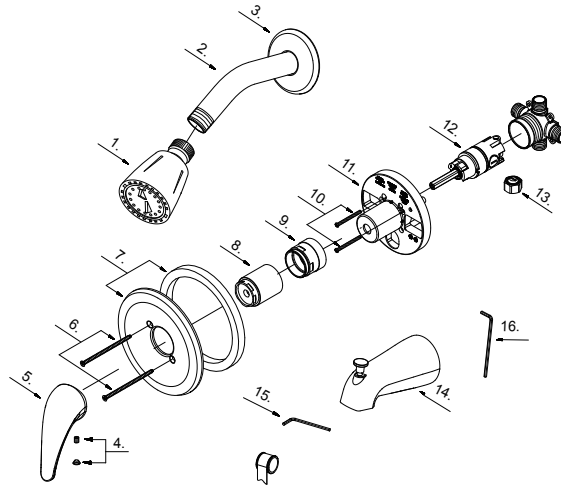
Visit Our Web Site : [www.plumb4orce.com](http://www.plumb4orce.com)

**P4C-730C**     **P4C-720C**     **P4C-700C**  
 **P4C-730CJP**     **P4C-720CJP**     **P4C-700CJP**



# Single Handle Tub & Shower Faucet

No.	Name	Part No.
1	Shower Head	S1214202
2	Shower Arm	A020002
3	Shower Arm Flange	A019001
4	Handle Cap	A66D569
5	Metal Handle	A029048
6	Screw Set (3/16" -24 * 5" L)	A608226
7	Escutcheon Assembly	A667915
8	Sleeve	A103322
9	Retainer Nut	A103310
10	Screw Set (3/16" -24 * 2-3/16" L)	A608519
11	Plaster Guard	A127007
12	Washerless Cartridge Assembly	A507975
13	Plug	A028452
14	Spout W/Diverter	A118011
15	Hex Wrench (H2.5 * 19 mm L * 53 mm L)	A031000NI
16	Hex Wrench (H3.18 * 20 mm L * 90 mm L)	A031017NI



# Product Spec Sheet

