

□ **P4C-402C**

□ **P4C-402CL**



4" Two Handle Lavatory Faucet

Product Spec Sheet



FEATURES & BENEFITS

- This Product Contains Less Than 0.25% Weighted Average Lead Content On Wetted Surfaces
- Acrylic Round Handles
- Washerless Cartridges
- Brass Pop-up
- Max Flow Rate 1.2 GPM (4.5 L/MIN) At 60 PSI (ASME A112.18.1M/A112.18.1)

P4C-402C
Chrome Finish

P4C-402CL
Less Pop-up
Chrome Finish

APPROVALS:

Meets or Exceeds The Following:

- * ANSI/ASME A112.18.1M/A112.18.1
- * NSF/ANSI 61 - Sec. 9
- * NSF/ANSI 372
- * IAPMO/cUPC
- * CA AB1953



NSF/ANSI 372
NSF/ANSI 61-9



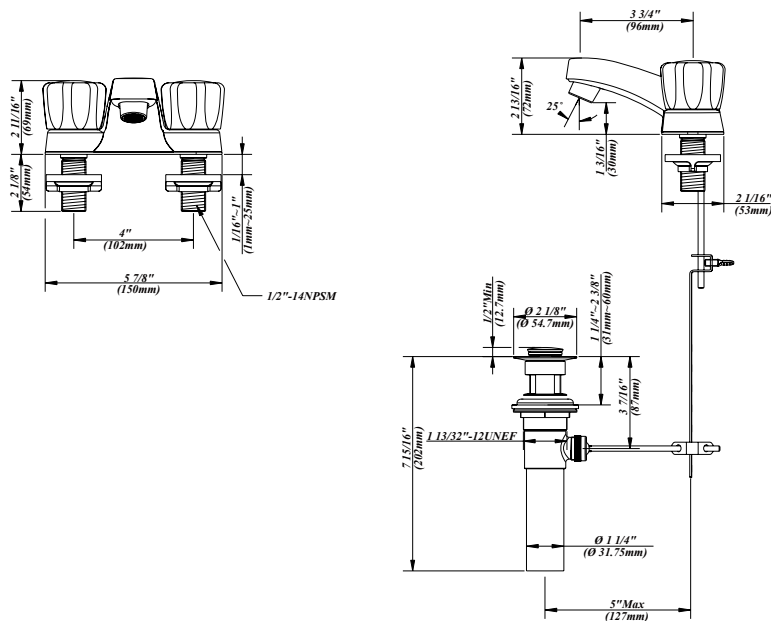
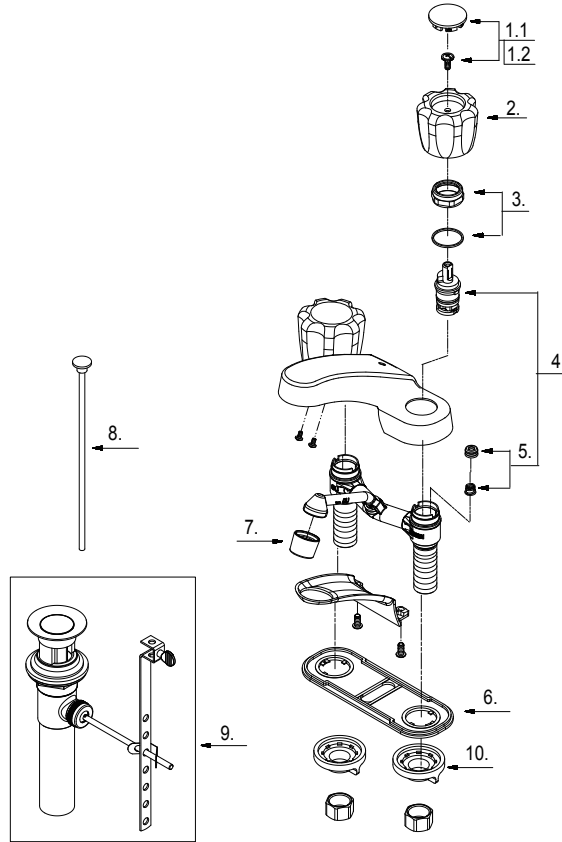
TEL: 855-806-0688

FAX: 845-350-4043

Visit Our Web Site : www.plumb4orce.com

4" Two Handle Lavatory Faucet

No.	Name	Part No.
1.1	Index Button-Cold	A66E233C
1.2	Index Button-Hot	A66E233H
2	Acrylic Handle	A029001
3	Retainer Nut	A663631
4	Cartridge Assembly	A66D636N
5	Seat & Spring Set	A663002
6	Putty Plate	A011034
7	Aerator	A500267N-64
8	Lift Rod	A025011
9	Pop-up Assembly	A556200
10	Lock Nut Set	A504023



Product Spec Sheet