

Model# 0336-N2-1/2

Slow-Close Straight Stop

FEATURES & SPECIFICATIONS

- Push Handle
- 1/2-14 NPS Female Thread

FINISHES

- PC Polished Chrome

STANDARDS

- ASME A112.18.1



WARRANTY

- Lifetime Limited Warranty
- Lifetime Residential Warranty
- 5 Year Commercial Warranty

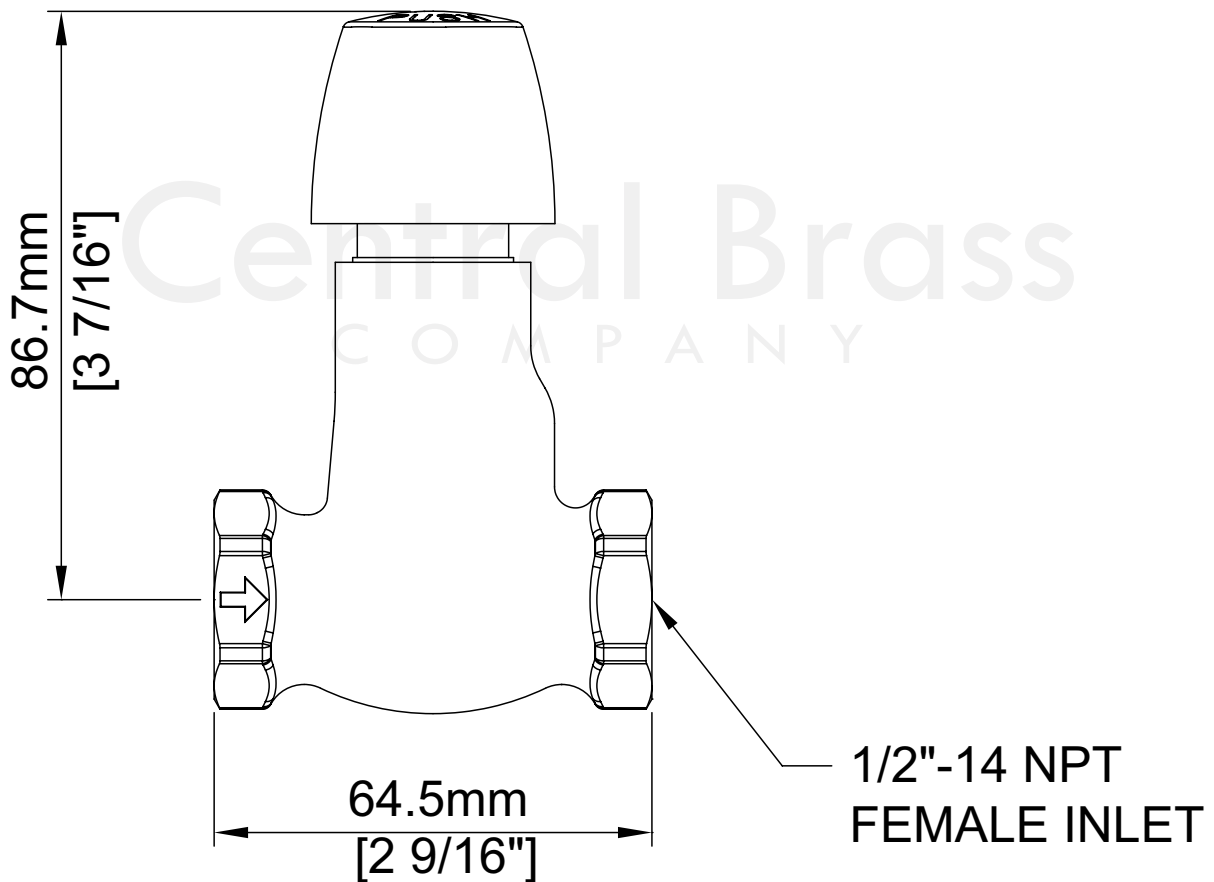
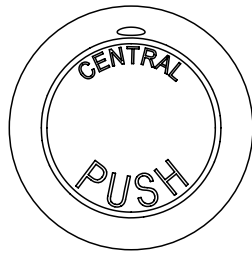
0336-N2-1/2/REV. 11 2016

Product Specifications subject to change without notice

Job Name _____ Date _____
Model Specified _____ QTY _____
Customer/Wholesaler _____
Contractor _____
Architect/Engineer _____
Submitted as Shown _____
Submitted w/ Variations _____

Model# 0336-N2-1/2

Slow-Close Straight Stop



0336-N2-1/2/REV. 11 2016

Product Specifications subject to change without notice