

Model# 0289-A

Two Handle Bar Faucet

FEATURES & SPECIFICATIONS

- Canopy Handles
- 3-15/16" Gooseneck Rigid Spout
- 1-1/16-14 NPS Male Thread
- Replaceable Seats
- 1-Hole Installation
- Copper Supply Tubes 1.5 GPM Flow Rate
- 1.5 GPM Flow Rate

FINISHES

- PC Polished Chrome

STANDARDS

- ASME A112.18.1
- ANSI / NSF 61, SECTION 9
- CUPC / IAPMO LISTED
- ANSI A117.1 / ADA COMPLIANT
- CONTAINS NO MORE THAN 0.25% WEIGHTED AVERAGE LEAD CONTENT



FLOW

- 1.5 GPM Flow Rate

WARRANTY

- Lifetime Limited Warranty
- Lifetime Residential Warranty
- 5 Year Commercial Warranty

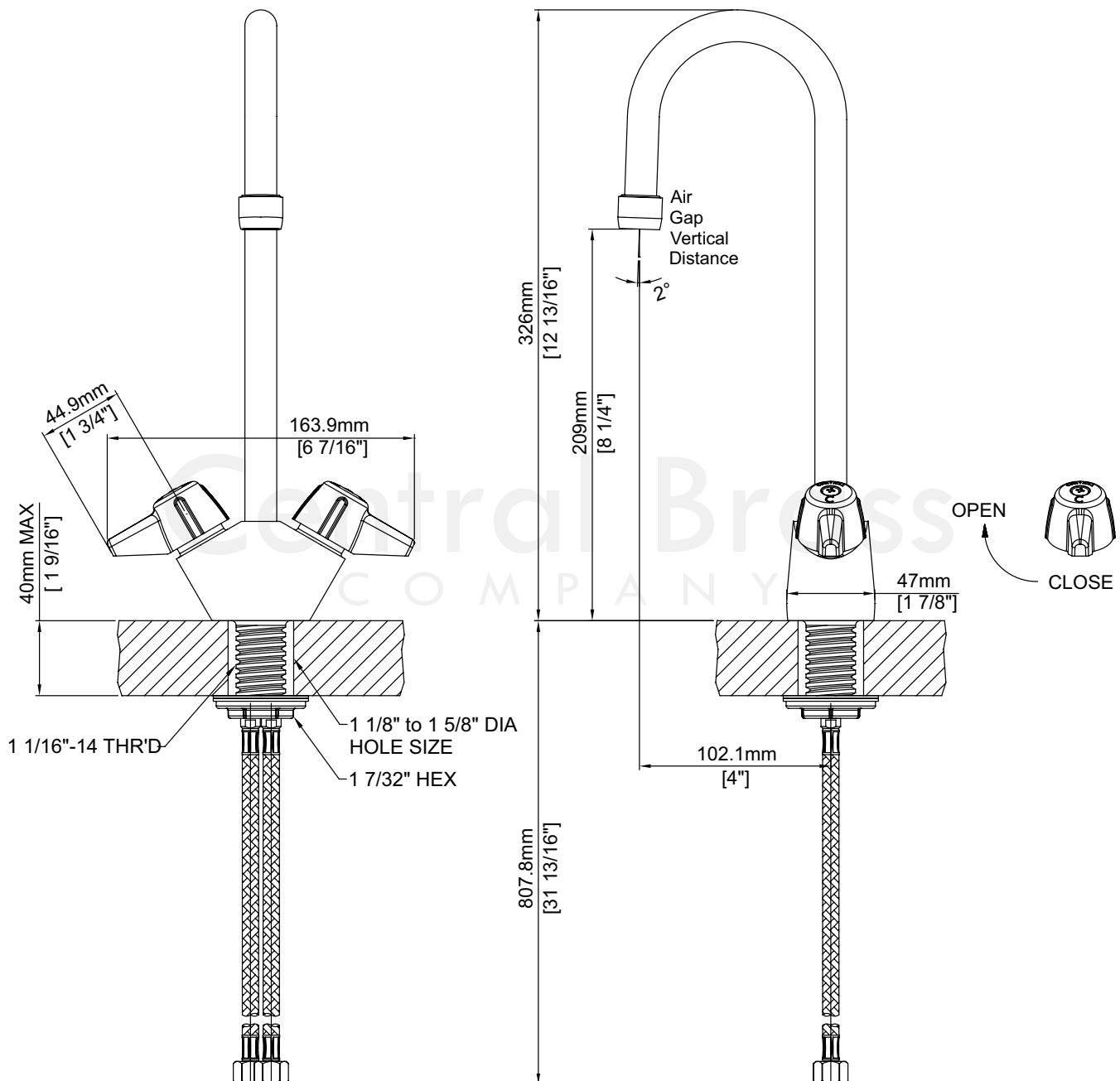
0289-A/REV. 11 2016

Product Specifications subject to change without notice

Job Name _____ Date _____
Model Specified _____ QTY _____
Customer/Wholesaler _____
Contractor _____
Architect/Engineer _____
Submitted as Shown _____
Submitted w/ Variations _____

Model# 0289-A

Two Handle Bar Faucet



0289-A/REV. 11 2016

Product Specifications subject to change without notice