

## Model# 0255-C

### Self-Close Single Handle Basin Faucet

#### FEATURES & SPECIFICATIONS

- 4-Arm Handle
- Plain End
- 1/2-14 NPS Male Inlet x 2-1/4" Long
- Replaceable Seat
- 1-Hole Installation

#### FINISHES

- PC Polished Chrome

#### STANDARDS

- ASME A112.18.1
- ANSI / NSF 61, SECTION 9
- CUPC / IAPMO LISTED
- CONTAINS NO MORE THAN 0.25% WEIGHTED AVERAGE LEAD CONTENT



#### WARRANTY

- Lifetime Limited Warranty
- Lifetime Residential Warranty
- 5 Year Commercial Warranty

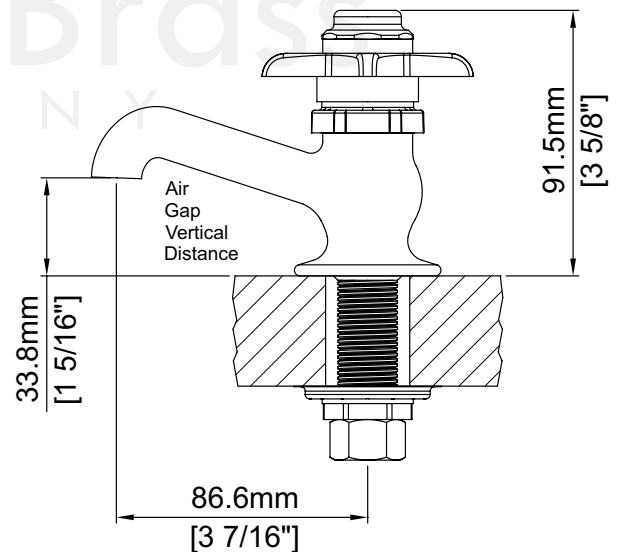
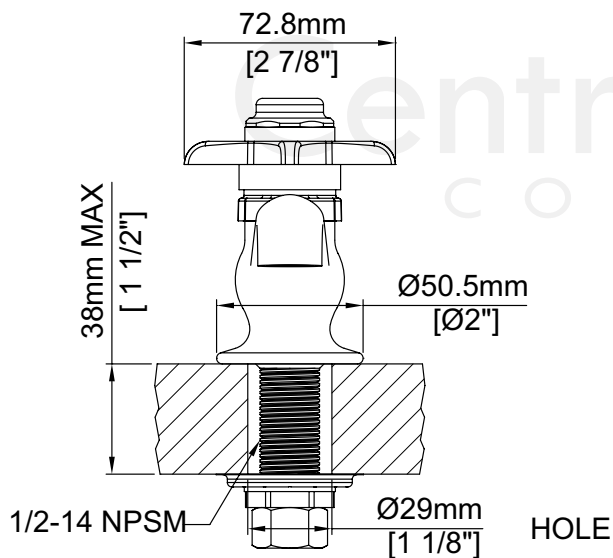
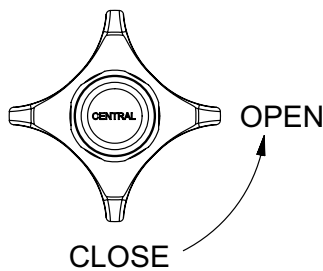
0255-C/REV. 11 2016

Product Specifications subject to change without notice

Job Name \_\_\_\_\_ Date \_\_\_\_\_  
Model Specified \_\_\_\_\_ QTY \_\_\_\_\_  
Customer/Wholesaler \_\_\_\_\_  
Contractor \_\_\_\_\_  
Architect/Engineer \_\_\_\_\_  
Submitted as Shown \_\_\_\_\_  
Submitted w/ Variations \_\_\_\_\_

## Model# 0255-C

### Self-Close Single Handle Basin Faucet



0255-C/REV. 11 2016

Product Specifications subject to change without notice