

# C(E) Series

The C(E) series incorporates a brass body with a 90° elbow inlet and SAE flare fittings using balanced port construction, allowing operation over varying load conditions. Designed for use on small refrigeration and or air conditioning systems, the external equalized models are provided with a 1/4" SAE male connection.

## Applications

- Small Refrigeration Systems
- Slush Machines
- Air Conditioning Units
- Freezers
- Walk-in Coolers
- Refrigerated Cases
- Rail & Transport Refrigeration

## Features and Benefits

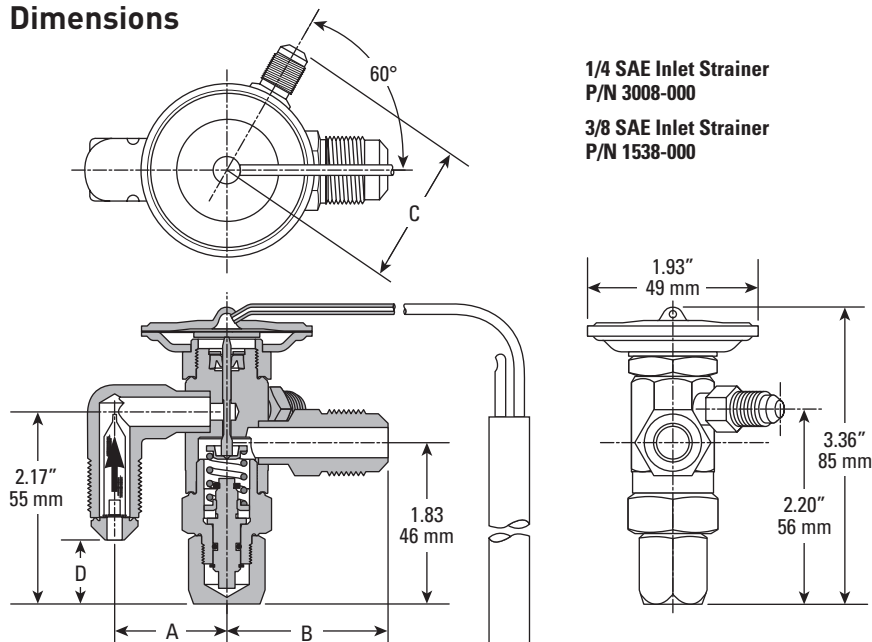
- Balanced port design
- Removable power element
- Inlet strainer – 100 mesh
- 60" capillary tube
- Field adjustable superheat
- 1/4" SAE external equalizer
- Weight: 1.0 lbs / 0.45 kg



## Specifications

Refrigerant	Refrigerant Designation	Orifice Designation	Nominal Capacity (Tons)	Capacity Range of Valve to be Replaced (Tons)	Valve Description		Rainbow Charges™	Connection - (Inches)		External Equalizer Connection (Inches)
					Internally Equalized	Externally Equalized		Inlet	Outlet	
R-12 R-134a R-401A R-401B	J	AA	1/4	1/6 to 1/4	C-AA-J	CE-AA-J	W X60	1/4 SAE	1/2 SAE	1/4 SAE
		A	1	1/2 to 1	C-A-J	CE-A-J		3/8 SAE		
		B	2	1 to 2	C-B-J	CE-B-J				
		C	3	2 to 3	C-C-J	CE-C-J		5/8 SAE		
		D	5	3 to 5	C-D-J	CE-D-J				
R-402A R-402B R-404A R-502	S	AA	1/4	1/6 to 1/4	C-AA-S	CE-AA-S	W Z X110 X35	1/4 SAE	1/2 SAE	1/4 SAE
		A	1	1/2 to 1	C-A-S	CE-A-S		3/8 SAE		
		B	2	1 to 2	C-B-S	CE-B-S				
		C	3-1/2	2 to 3-1/2	C-C-S	CE-C-S		5/8 SAE		
		D	6	3-1/2 to 6	C-D-S	CE-D-S				
R-22 R-407C R-422D	V	AA	1/2	1/3 to 1/2	C-AA-V	CE-AA-V	W Z X100 X35	1/4 SAE	1/2 SAE	1/4 SAE
		A	1-1/2	3/4 to 1-1/2	C-A-V	CE-A-V		3/8 SAE		
		B	3	1-1/2 to 3	C-B-V	CE-B-V				
		C	5	3 to 5	C-C-V	CE-C-V		5/8 SAE		
		D	8	5 to 8	C-D-V	CE-D-V				

## Dimensions



1/4 SAE Inlet Strainer  
P/N 3008-000

3/8 SAE Inlet Strainer  
P/N 1538-000

Fitting Size	A	B	C	D
1/4 SAE	1.11" 28 mm	—	1.54" 39 mm	1.15" 29 mm
3/8 SAE	1.27" 32 mm	—	—	0.75" 19 mm
1/2 SAE	—	1.82" 46 mm	—	—
5/8 SAE	—	1.98" 50 mm	—	—

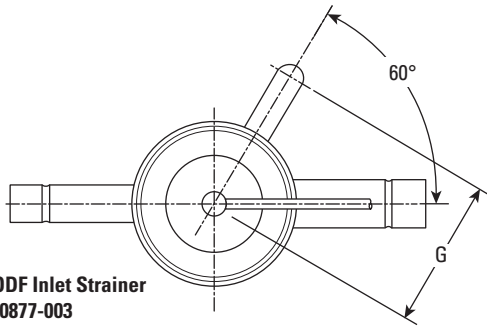
## Replacement Elements

Refrigerant Designation	Element
V	KT-46-VW KT-46-VX100
J	KT-46-JW KT-46-JX60
S	KT-46-SZ KT-46-SW KT-46-SX35

# EC(E) Series

## Dimensions

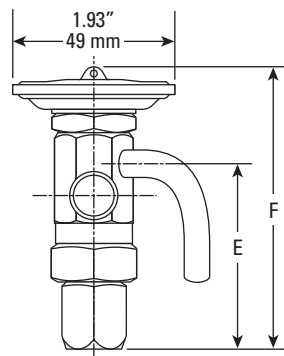
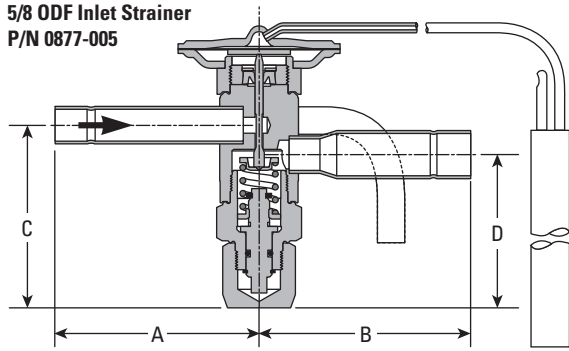
ECE-AA, -A, -B, -C, -D



3/8 ODF Inlet Strainer  
P/N 0877-003

1/2 ODF Inlet Strainer  
P/N 0877-004

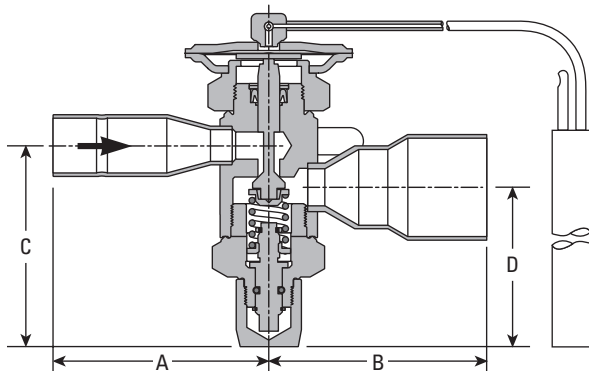
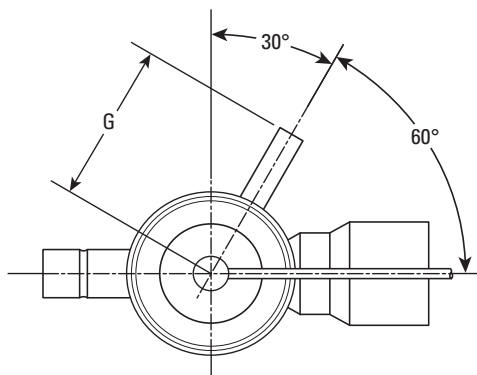
5/8 ODF Inlet Strainer  
P/N 0877-005



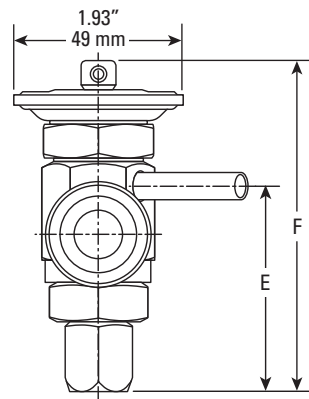
## Replacement Elements

Refrigerant Designation	Element
V	KT-46-VW KT-46-VX100
J	KT-46-JW
S	KT-46-SZ KT-46-SW KT-46-SX35
Z	KT-46-ZX200

ECE-12-1/2-Z and ECE-15-Z Only



Fitting Size	A	B	C	D	E	F	G
1/4	—	—	—	—	2.36" 60 mm	3.79" 96 mm	1.90" 48 mm
5/8	2.48" 63 mm	—	2.30" 58 mm	—	—	3.79" 96 mm	—
7/8	—	2.51" 64 mm	—	1.83" 46 mm	—	3.79" 96 mm	—
1-1/8	—	2.51" 64 mm	—	1.83" 46 mm	—	3.79" 96 mm	—



## Replacement Elements

Refrigerant Designation	Element
Z	KT-46-5-ZX200*

\* For ECE-12-1/2-Z and ECE-15-Z only.

# SC(E) Series

The SC(E) series brass body expansion valve incorporates a 90° elbow inlet with a removable strainer that may be replaced or cleaned without removing the valve from the system, and is an ideal choice for commercial refrigeration and supermarket applications.

## Applications

- Supermarket Cases
- Self-contained Cases
- Walk-in Coolers/Freezers
- Ice Machines
- Salad Bars
- Transport Refrigeration

## Features and Benefits

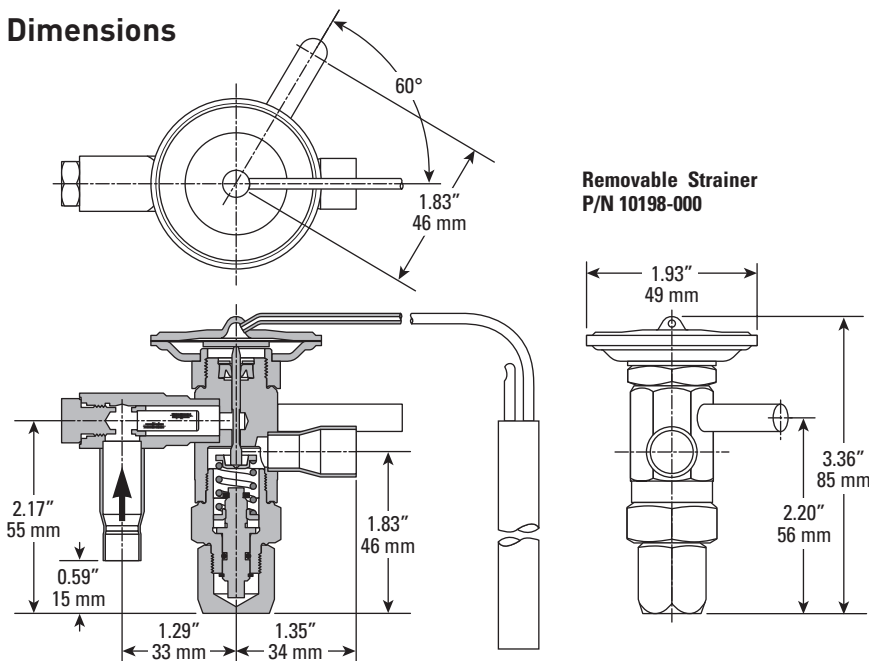
- Balanced port design
- Removable power element
- 60" capillary tube
- Removable inlet strainer – 100 mesh
- Field adjustable superheat
- 1/4" ODF external equalizer
- "W", "Z" or MOP "X" charges available
- Weight: 1.0 lbs / 0.45 kg



## Specifications

Refrigerant	Refrigerant Designation	Orifice Designation	Nominal Capacity (Tons)	Capacity Range of Valve to be Replaced (Tons)	Valve Description		Rainbow Charges™	Connection - (Inches)		External Equalizer Connection (Inches)
					Internally Equalized	Externally Equalized		Inlet	Outlet	
R-12 R-134a R-401A R-401B	J	AA	1/4	1/6 to 1/4	N/A	SCE-AA-J	W X60	3/8 ODF	1/2 ODF	1/4 ODF
		A	1	1/2 to 1		SCE-A-J				
		B	2	1 to 2		SCE-B-J				
		C	3	2 to 3		SCE-C-J				
		D	5	3 to 5		SCE-D-J				
R-402A R-402B R-404A R-502 R-507	S	AAA	1/6	1/8 to 1/6	N/A	SCE-AAA-S	W Z X110 X35	3/8 ODF	1/2 ODF	1/4 ODF
		AA	1/4	1/6 to 1/4		SCE-AA-S				
		A	1	1/2 to 1		SCE-A-S				
		B	2	1 to 2		SCE-B-S				
		C	3-1/2	2 to 3-1/2		SCE-C-S				
		D	6	3-1/2 to 6		SCE-D-S				
R-22 R-407C R-422D	V	AAA	1/3	1/6 to 1/3	N/A	SCE-AAA-V	W Z X110 X35	3/8 ODF	1/2 ODF	1/4 ODF
		AA	1/2	1/3 to 1/2		SCE-AA-V				
		A	1-1/2	3/4 to 1-1/2		SCE-A-V				
		B	3	1-1/2 to 3		SCE-B-V				
		C	5	3 to 5		SCE-C-V				
D	8	5 to 8	SCE-D-V							

## Dimensions



## Replacement Elements

Refrigerant Designation	Element
V	KT-46-VW KT-46-VX100
J	KT-46-JW
S	KT-46-SZ KT-46-SW KT-46-SX35