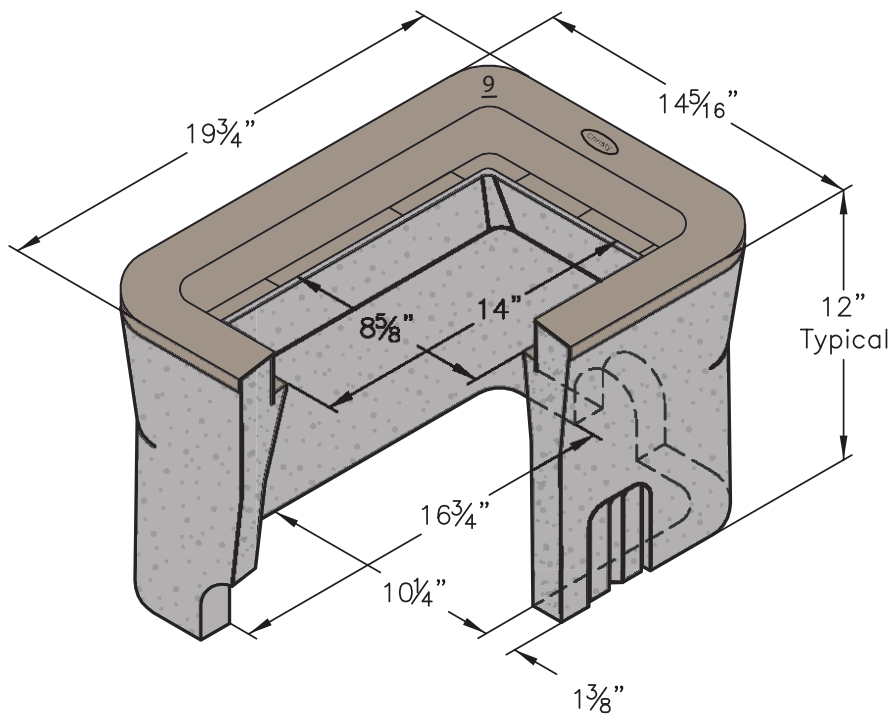
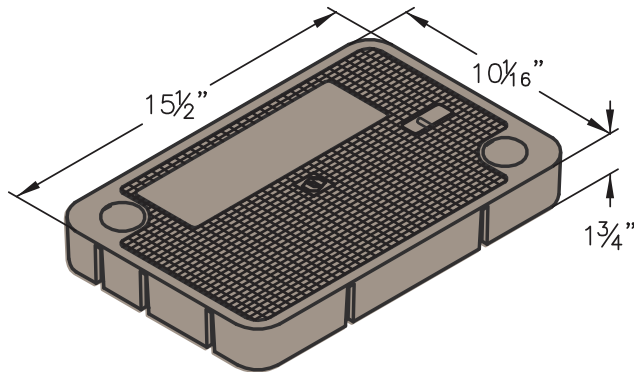


# B09



**COVER:**

Style: Flush  
 Material: Composite with UV Inhibitor  
 Model: 10" x 15"  
 Weight: 20 lbs  
 Options: Bolt Down Kit  
 Special Markings  
 Surface: Skid Resistant & Marked\*  
 Coefficient of Friction: >0.6 ASTM 1028  
 Performance: ASTM C 857, WUC 3.6

**BODY:**

Material: Reinforced Concrete with Composite Cap  
 Model: 20" x 15"  
 Weight: 12" Depth: 90 lbs  
 Wall Type: Straight  
 Mouseholes: 0 - 2  
 Performance: ASTM C 857, WUC 3.6

**EXTENSION:**

Material: Reinforced Concrete  
 Depth: 12"  
 Weight: 87 lbs



Light Duty:  
Pedestrian Only

\*Cover comes standard with permanent markings for manufacturer, load rating, model size and manufacturing location.

Contact your Oldcastle Enclosure Solutions Distribution Center for specific information and additional options.

Actual load rating is determined by the box and cover combination. Weights and dimensions may vary slightly.  
 Rev 10/2016 ©2016 Oldcastle, Inc.

**B09**

**Options:**

**R-Series Covers:**

- Flush Solid
- Flush with AMR Probe Hole
- Bolt Down Locking Available

**Concrete Covers:**

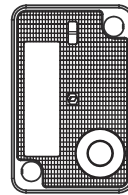
- Flush with Cast Iron Reader Door Slab

**Cast Iron Covers:**

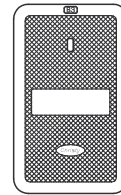
- Flush Solid
- Universal TL Key Locking Available

**Steel Checker Plate Covers:**

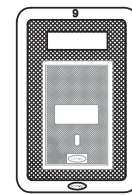
- Flush Solid
- Flush with 6" Round Reader Door
- Galvanizing Available



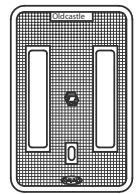
R-Series  
with AMR Hole



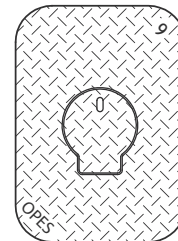
Concrete  
Flush



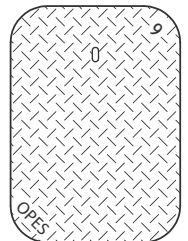
Concrete  
with CI Reader



Cast Iron



Steel  
with Reader



Steel

**Product Load Rating:**



Light Duty : Pedestrian Only

**Note:**

Actual load rating is determined by the box and cover combination. Weights and dimensions may vary slightly. All information contained on this sheet is current at the time of printing. Oldcastle Precast, Inc. reserves the right to discontinue or update product information without notice.

