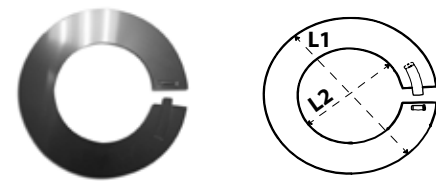


Stainless Steel Cosmetic Ring

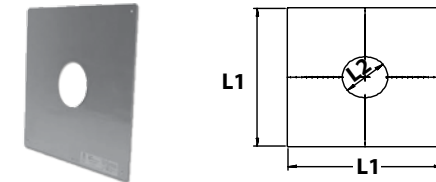
CRX-



| Model No. | Venting Series | L1 | L2 | Qty / Box |
|-----------|-----------------------|------|------|-----------|
| CR4-SUS | 4" SUS | 7.2" | 4.3" | 1 |
| CR5-SUS | Concentric and 5" SUS | 9.9" | 5.4" | 1 |

Stainless Steel Fire Stop

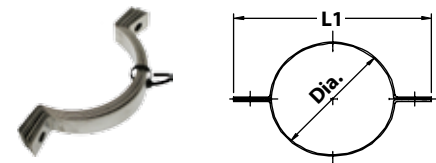
FSX



| Model No. | Venting Series | L1 | L2 | Qty |
|-----------|----------------|-------|------|-----|
| FS4 | 4" SUS | 18.0" | 4.4" | 6 |
| FS5 | 5" SUS | 20.4" | 5.4" | 6 |

Stainless Steel Support Clamp

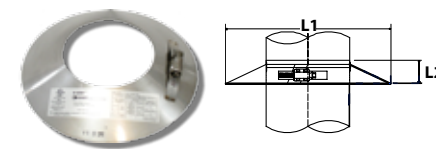
SCX



| Model No. | Venting Series | L1 | L2 | Qty |
|-----------|----------------|------|----|--------|
| SC4 | 4" SUS | 6.0" | - | 5 Sets |
| SC5 | 5" SUS | 7.0" | - | 5 Sets |

Storm Collar Ring

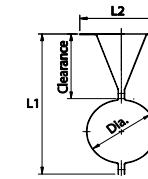
SCRX



| Model No. | Venting Series | L1 | L2 | Qty |
|-----------|-----------------------|------|-------|-----|
| CSCR-1 | Concentric and 5" SUS | 9.1" | 4.0" | 6 |
| SCR4-1 | 4" | 8" | 3.25" | 6 |

4" SUS Venting Series

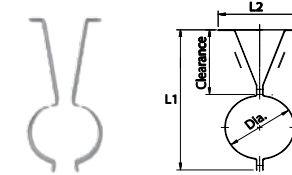
Stainless Steel Support Straps
SS4-X



| Model No. | Clearance | L1 | L2 | Qty |
|-----------|-----------|-------|------|--------|
| SS4-1 | 1" | 5.7" | 4.7" | 5 Sets |
| SS4-2 | 2" | 6.6" | 4.7" | 5 Sets |
| SS4-4 | 4" | 8.7" | 4.7" | 5 Sets |
| SS4-6 | 6" | 10.7" | 4.7" | 5 Sets |

5" & Concentric SUS Venting Series

Stainless Steel Support Straps
SS5-X



| Model No. | Clearance | L1 | L2 | Qty |
|-----------|-----------|-------|------|--------|
| SS5-1 | 1" | 6.8" | 6.0" | 5 Sets |
| SS5-2 | 2" | 7.8" | 6.0" | 5 Sets |
| SS5-4 | 4" | 9.8" | 6.0" | 5 Sets |
| SS5-6 | 6" | 11.8" | 6.0" | 5 Sets |

Stainless Steel Bug Guard

BG

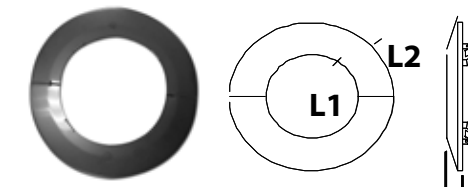


| Model No. | Venting Series | Description | Qty |
|-----------|----------------|------------------|-----|
| BG-DVC-H | Concentric SUS | For CVK-H Series | 1 |
| BG-DVC-V | Concentric SUS | For CVK-V Series | 1 |

* Image & drawing shown: BG-DVC-V

Stainless Steel Face Plates

FP-X



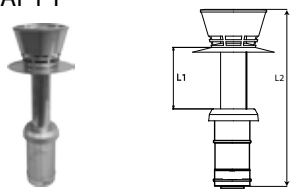
| Model No. | Venting Series | L1 | L2 | Qty |
|-----------|----------------|------|------|-----|
| FP-5-OUT | Concentric SUS | 6.7" | 8.7" | 1 |

| | | | |
|--------|-----------------|----------------|------------------|
| 4" SUS | For NR98 Series | 5" SUS | For NC380 Series |
| | | Concentric SUS | For DVC Series |

| | | | |
|--------|-----------------|----------------|------------------|
| 4" SUS | For NR98 Series | 5" SUS | For NC380 Series |
| | | Concentric SUS | For DVC Series |

Vent Pipe Rain Cap

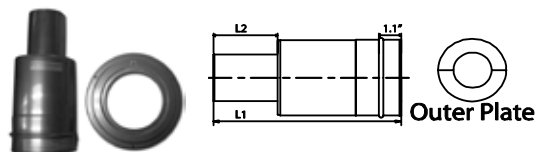
Stainless Steel Double-Wall
CRCAI-1-F



| Model No. | Venting Series | L1 | L2 | Qty / Box |
|-----------|----------------|-------|-------|-----------|
| CRCAI-1-F | Concentric SUS | 10.6" | 26.5" | 1 |

Straight Termination w/ Birdscreen

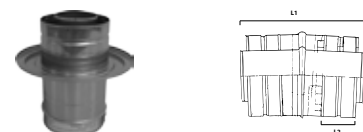
Stainless Steel Double-Wall Vent Pipe
CVT-S



| Model No. | Venting Series | L1 | L2 | Qty / Box |
|-----------|----------------|-------|------|-----------|
| CVT-S | Concentric SUS | 11.0" | 3.9" | 6 |

Vent Pipe w/ Wall Flange

Stainless Steel Double-Wall
CWF-F



| Model No. | Venting Series | L1 | L2 | Qty / Box |
|-----------|----------------|------|------|-----------|
| CWF-F | Concentric SUS | 2.0" | 8.7" | 6 |

Builder's Edition Wall Thimble

Galvalume Double-Wall Vent Pipe
CWT-H



| Model No. | Venting Series | L1 | L2 | Qty / Box |
|-----------|----------------|-----------|------|-----------|
| CWT-H | Concentric | Min. 3.5" | 1.5" | 1 |

Concentric Vent Pipe Adapter Male to Male

Stainless Steel Double-Wall
CVP-ADAPT-M2M

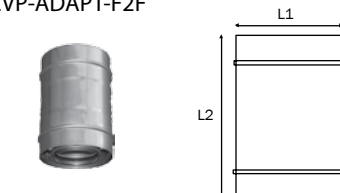


| Model No. | Venting Series | L1 | L2 | Qty / Box |
|---------------|----------------|----|------|-----------|
| CVP-ADAPT-M2M | Concentric | 5" | 5.5" | 1 |

Newest Heater Models. Version 1 venting

Concentric Vent Pipe Adapter Female to Female

Stainless Steel Double-Wall
CVP-ADAPT-F2F

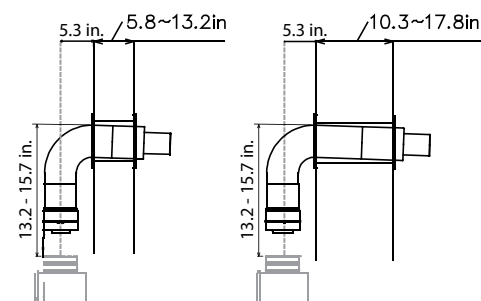


| Model No. | Venting Series | L1 | L2 | Qty / Box |
|---------------|----------------|----|------|-----------|
| CVP-ADAPT-F2F | Concentric | 5" | 7.5" | 1 |

Prior Heater Models. Version 2 venting

| | | | |
|--------|-----------------|----------------|------------------|
| 4" SUS | For NR98 Series | 5" SUS | For NC380 Series |
| | | Concentric SUS | For DVC Series |

Horizontal- Kits

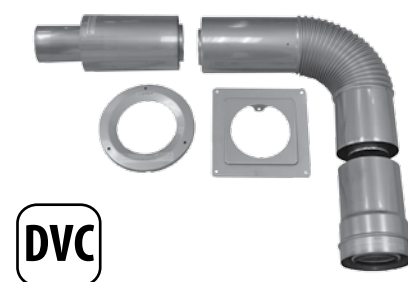


Standard Wall Kit
Includes inner & outer plates
CVK-H-F

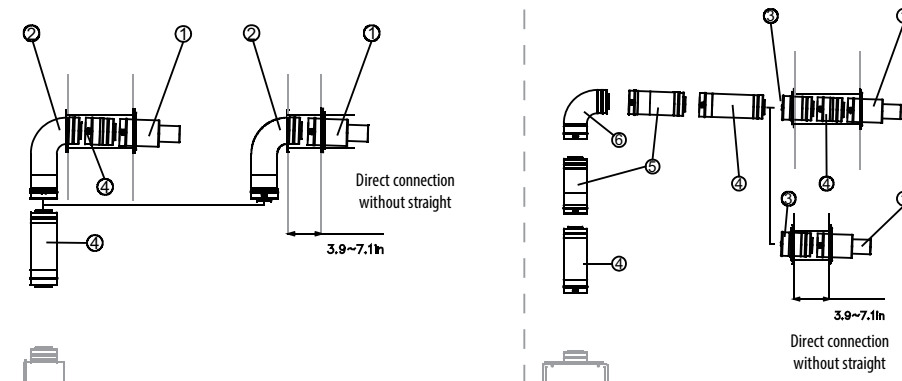
Wall Thickness Range
From 5.8"-13.2"

Thick Wall Kit
Includes inner & outer plates
CVK-H2-F

Wall Thickness Range
From 10.3"-17.8"



Horizontal- Build Your Own



| No | 1 | 2 | 3 | 4 | 5 | 6 |
|--------------------|-------------------------------------|------------------------|----------------------------------|-------------------|-----------------|---------------|
| Description | Straight Bird Screen w/ Outer Plate | 90° Adj w/ Wall Flange | Straight Vent Pipe w/Wall Flange | Straight | Adjustable | 45/ 90 Degree |
| Part Number | CVT-S | CWF-90ELB | CWF-F | CVP-4/12/24/36STR | CVP-11/16/40ADJ | CVP-45/90ELB |

Vent Pipe Horizontal Kit
Stainless Steel Double-Wall
CVK-H

| Model No. | Venting Series | Qty/Box |
|-----------|------------------|---------|
| CVK-H-F | Concentric SUS* | 1 |
| CVK-H2-F | Concentric SUS** | 1 |

* (5.8" - 13.2" Wall Thickness)
** (10.3" - 17.8" Wall Thickness)

Builder's Edition Wall Thimble

Galvalume Double-Wall Vent Pipe
CWT-H



| Model No. | Venting Series | L1 | L2 | Qty / Box |
|-----------|----------------|-----------|------|-----------|
| CWT-H | Concentric | Min. 3.5" | 1.5" | 1 |

Concentric Vent Pipe Adapter Male to Male

Stainless Steel Double-Wall
CVP-ADAPT-M2M

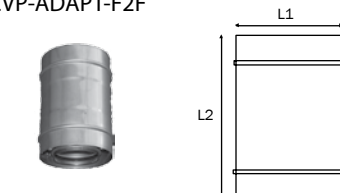


| Model No. | Venting Series | L1 | L2 | Qty / Box |
|---------------|----------------|----|------|-----------|
| CVP-ADAPT-M2M | Concentric | 5" | 5.5" | 1 |

Newest Heater Models. Version 1 venting

Concentric Vent Pipe Adapter Female to Female

Stainless Steel Double-Wall
CVP-ADAPT-F2F

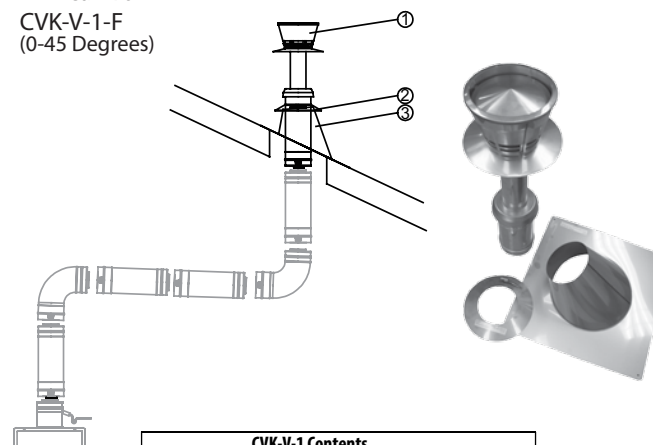


| Model No. | Venting Series | L1 | L2 | Qty / Box |
|---------------|----------------|----|------|-----------|
| CVP-ADAPT-F2F | Concentric | 5" | 7.5" | 1 |

Prior Heater Models. Version 2 venting

| | | | |
|--------|-----------------|----------------|------------------|
| 4" SUS | For NR98 Series | 5" SUS | For NC380 Series |
| | | Concentric SUS | For DVC Series |

Vertical Kit
CVK-V-1-F
(0-45 Degrees)



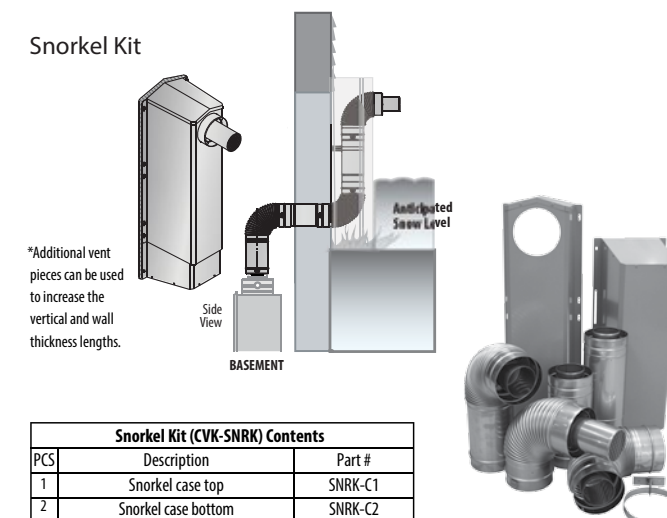
| CVK-V-1 Contents | | |
|------------------|---|-------------|
| No | Description | Part Number |
| 1 | Concentric Rain Cap | CRCAI-1-F |
| 2 | Storm Collar | CSCR-1 |
| 3 | Adjustable Roof Flashing (0-45 Degrees) | CARF-1 |

Vent Pipe Vertical Kit
Stainless Steel Double-Wall
CVK-V-1

| Model No. | Venting Series | Qty/Box |
|-----------|-----------------|---------|
| CVK-V-1-F | Concentric SUS* | 1 |

* (0 - 45 Degree Roof Pitch)

Snorkel Kit



*Additional vent pieces can be used to increase the vertical and wall thickness lengths.

| Snorkel Kit (CVK-SNRK) Contents | | |
|---------------------------------|---------------------------------------|----------------|
| PCS | Description | Part # |
| 1 | Snorkel case top | SNRK-C1 |
| 2 | Snorkel case bottom | SNRK-C2 |
| 3 | Concentric 11" adjustable vent pipe | CVP-11ADJ |
| 4 | Concentric 16" adjustable vent pipe | CVP-16ADJ |
| 5 | Concentric snorkel termination elbow | CVT-SNRK-90ELB |
| 6 | Concentric 90 degree elbow | CVP-90ELB |
| 7 | Concentric 90 degree adjustable elbow | CVP-90ADJELB |
| 8 | Adjustable support strap | SSS-3ADJ |
| 9 | Screw set | S-12 |

Stainless Steel Double-Wall
Vent Pipe Horizontal Snorkel Kit
CVK-SNRK-F

| Model No. | Venting Series | Qty/Box |
|------------|----------------|---------|
| CVK-SNRK-F | Concentric SUS | 1 |

* adapter needed