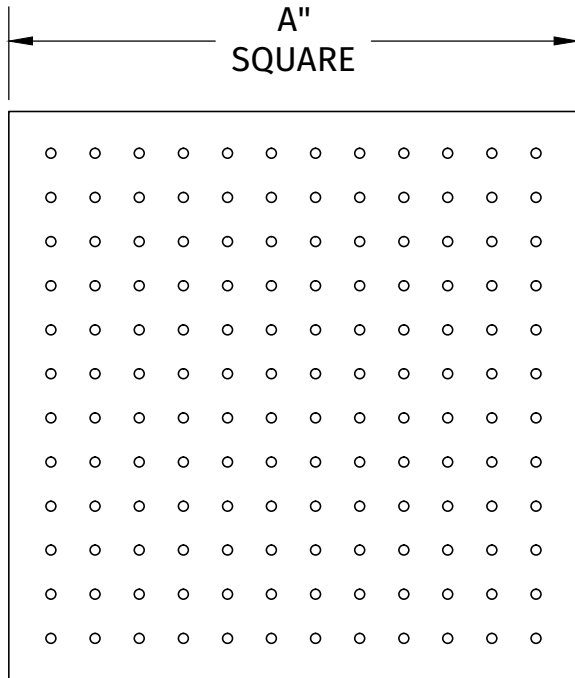


# MT11-6/8/10/12/16

## MOUNTAIN RE-VIVE™ SQUARE RAIN HEAD

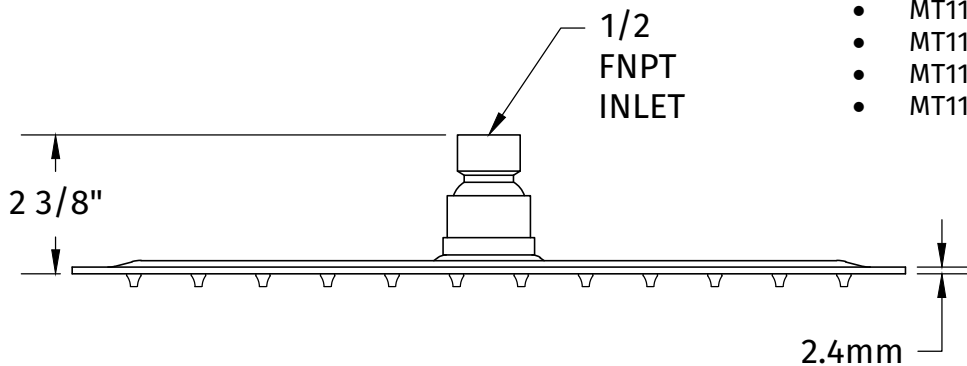
### SPECIFICATION SHEET



- STAINLESS STEEL CONSTRUCTION
- ULTRA SLIM 2.4 mm
- 1.6 GPM
- SEAMLESS CONSTRUCTION
- CLOG-FREE NOZZLES
- (MT11-12 SHOWN)

MODEL NUMBER	DIM A	NOZZLES
--------------	-------	---------

- |            |        |     |
|------------|--------|-----|
| • MT11-6:  | 6" SQ  | 64  |
| • MT11-8:  | 8" SQ  | 100 |
| • MT11-10: | 10" SQ | 144 |
| • MT11-12: | 12" SQ | 144 |
| • MT11-16: | 16" SQ | 256 |



#### WARRANTY

ONE YEAR WARRANTY ON PLATED FINISHES, 90 DAY WARRANTY ON ORB, EB, MHB, WCP, and TB, & LIFETIME ON PVD FINISHES PROVIDED PROPER CARE HAS BEEN USED. LIFETIME WARRANTY FOR PVD IS FOR FINISH ONLY. ONE YEAR WARRANTY ON ALL PARTS. THE USE OF PLUMBERS PUTTY ON MOUNTAIN PLUMBING PRODUCTS VOIDS THE WARRANTY FOR ALL PRODUCTS, PARTS, AND FINISHES. OVERTIGHTENING OF FITTINGS ON MOUNTAIN PLUMBING PRODUCTS VOIDS WARRANTY FOR ALL PRODUCTS. WARRANTY APPLIES TO ORIGINAL PURCHASER AND CLAIMS REQUIRE PROOF OF PURCHASE.

#### FINISH CARE & MAINTENANCE

NEVER USE ANY HARSH ALKALI, ACID BASED DETERGENTS OR CLEANERS SUCH AS SOFT SCRUB®, SCRUBBING BUBBLES® OR COMET® TO CLEAN. DO NOT USE BRILLO® AND SCOTCH BRITE® PADS. THESE WILL ALL HARM THE FINISH. TO CLEAN, USE ONLY A DAMP SOFT CLOTH AND WIPE USING A SOFT CLOTH. STANDARD WINDEX® CAN ALSO BE USED SPARINGLY. IT IS NOT NECESSARY TO WIPE HARD TO REMOVE SPOTS. TO MAINTAIN THE FINISH, WIPE WITH A SOFT DRY CLOTH AFTER USE. AN OCCASIONAL COAT OF PURE CARNAUBA WAX WITHOUT CLEANERS WILL HELP PROTECT THE FINISH.