

# UNVTRIM

## ROUND STYLE BATH DRAIN WITH EZ-CLICK™

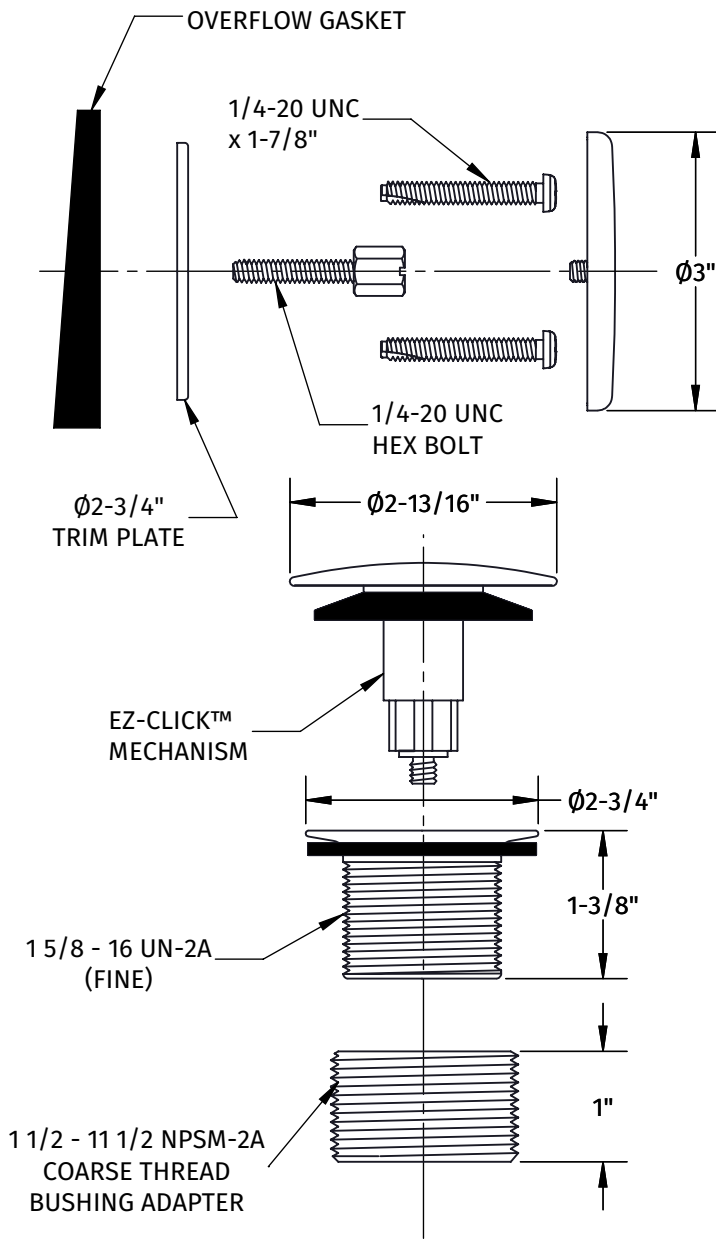


A McAlpine Company

# Mountain

Plumbing Products

### SPECIFICATION SHEET



- FOR USE WITH Ø2" DRAIN OPENING
- WILL FIT MOST MANUFACTURER'S NON-CABLE OPERATED DRAINS
- SUITABLE FOR MOST OVERFLOWS WITH ONE OF TWO SCREW APPLICATION
- COMPATIBLE WITH ALL MOUNTAIN PLUMBING NON-CABLE OPERATED DRAINS
- LIFETIME WARRANTY ON EZ-CLICK™ MECHANISM
- WILL FIT A TUB UP TO 2" THICK WHEN USING COARSE ADAPTER
- BDWBUSH2-2" COARSE ADAPTER FOR UP TO 3" THICK TUBS (SOLD SEPARATELY)
- BDWBUSH2.5-2-1/2" COARSE ADAPTER FOR UP TO 3-1/2" THICK TUBS (SOLD SEPARATELY)

#### WARRANTY

FOR WARRANTY INFO PLEASE VISIT [WWW.MOUNTAINPLUMBING.COM/PAGE/RESOURCES/WARRANTY](http://WWW.MOUNTAINPLUMBING.COM/PAGE/RESOURCES/WARRANTY)

#### FINISH CARE & MAINTENANCE

NEVER USE ANY HARSH ALKALI, ACID BASED DETERGENTS OR CLEANERS SUCH AS SOFT SCRUB®, SCRUBBING BUBBLES® OR COMET® TO CLEAN. DO NOT USE BRILLO® OR SCOTCH BRITE® PADS. THESE WILL ALL HARM THE FINISH. TO CLEAN, USE ONLY A DAMP SOFT CLOTH AND WIPE GENTLY. STANDARD WINDEX® CAN ALSO BE USED SPARINGLY. IT IS NOT NECESSARY TO WIPE HARD TO REMOVE SPOTS. TO MAINTAIN THE FINISH, WIPE WITH A SOFT DRY CLOTH AFTER USE. AN OCCASIONAL COAT OF PURE CARNAUBA WAX WITHOUT CLEANERS WILL HELP PROTECT THE FINISH.

SPECIFICATIONS SUBJECT TO CHANGE WITHOUT NOTICE