



Buy it for looks. Buy it for life.®

# Specifications

*There is more than 1 version of this model.  
Page down to identify the version you have.*

## DESCRIPTION

- Metal construction with various finishes identified by suffix
- Quick connect installation
- Flush button with raised stream and spray indicators
- Pullout spray with 55" braided hose
- Flexible supplies with 3/8" compression fittings

## OPERATION

- Lever style handle
- Temperature controlled by 100° arc of handle travel
- Spout receptor rotation is 120°
- Operates with less than 5 lbs. of force
- Operates in stream or spray mode in the pullout or retracted position

## FLOW

- Flow is limited to 1.5 gpm (5.7 L/min) at 60 psi

## CARTRIDGE

- 1255™ Duralast™ cartridge

## STANDARDS

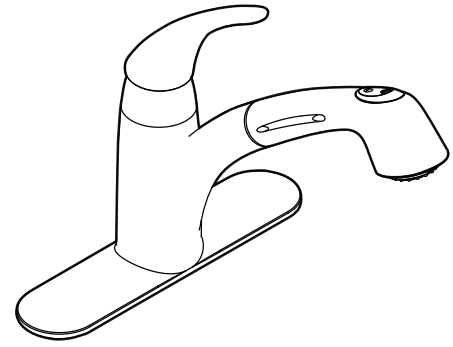
- Third party certified to IAPMO Green, ASME A112.18.1/CSA B-125.1 and all applicable requirements referenced therein including NSF 61/9
- Meets CalGreen and Georgia SB370 requirements
- Contains no more than 0.25% weighted average lead content
- Complies with California Proposition 65 and with the Federal Safe Drinking Water Act

- ADA  for lever handle

- The backflow protection system in this device consists of two independently operating check valves, a primary and a secondary which prevent backflow

## WARRANTY

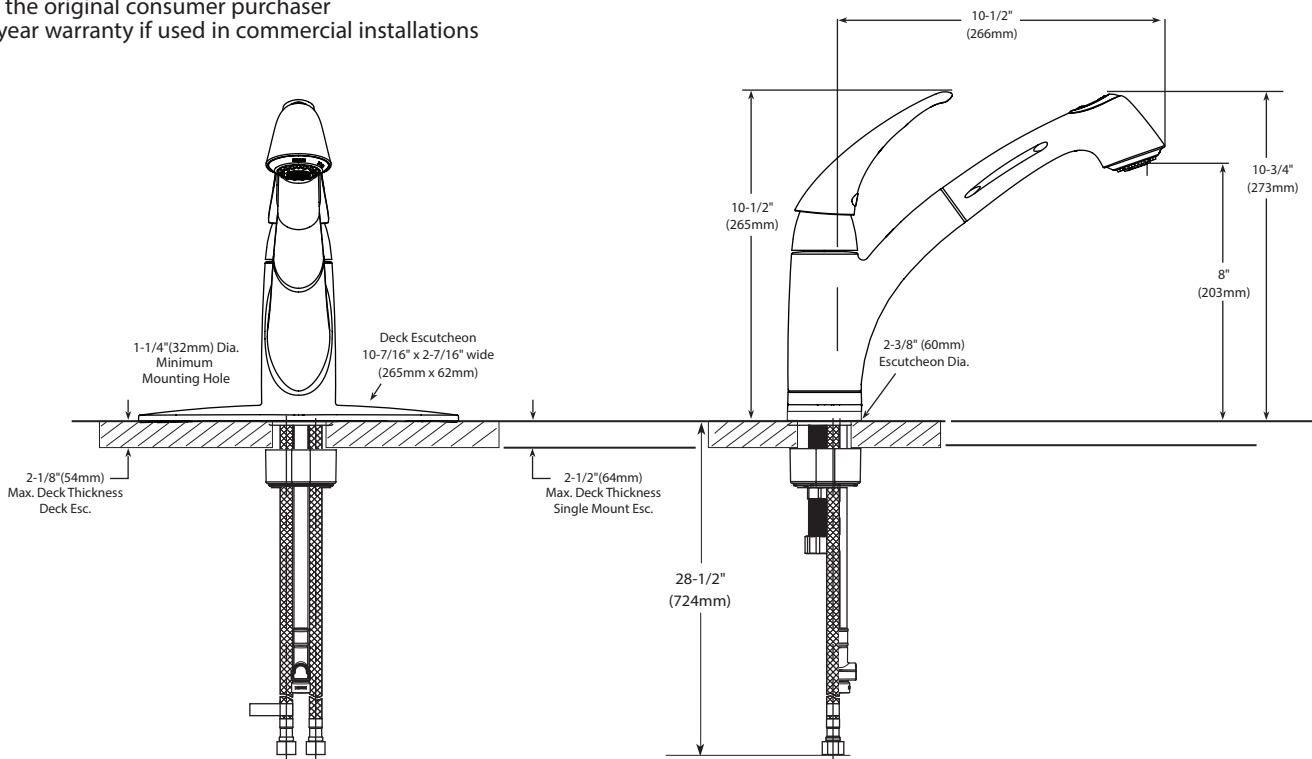
- Lifetime limited warranty against leaks, drips and finish defects to the original consumer purchaser
- 5 year warranty if used in commercial installations



## Extensa® Single Control Kitchen Faucet w/Pullout Spray

Models: 7560 series

**NOTE:** DESIGNED TO INSTALL  
THRU 1 OR 3 HOLES 1-1/2" (38mm) MIN. DIA.



## CRITICAL DIMENSIONS

(DO NOT SCALE)



Buy it for looks. Buy it for life.®

# Specifications

## DESCRIPTION

- Metal construction with various finishes identified by suffix
- Quick connect installation
- Flush button with raised stream and spray indicators
- Pullout spray with 55" braided hose
- Flexible supplies with 3/8" compression fittings

## OPERATION

- Lever style handle
- Temperature controlled by 100° arc of handle travel
- Spout receptor rotation is 120°
- Operates with less than 5 lbs. of force
- Operates in stream or spray mode in the pullout or retracted position


## FLOW

- Flow is limited to 1.5 gpm (5.7 L/min) at 60 psi

## CARTRIDGE

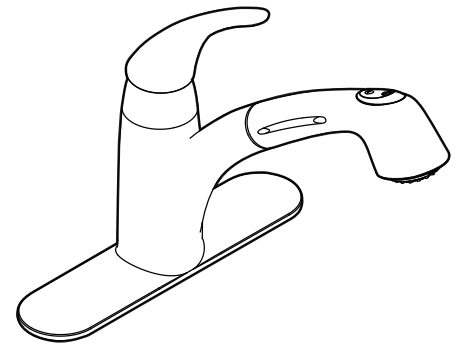
- 1255™ Duralast™ cartridge

## STANDARDS

- Third party certified to IAPMO Green, ASME A112.18.1/CSA B-125.1 and all applicable requirements referenced therein including NSF 61/9
- Meets CalGreen and Georgia SB370 requirements
- Contains no more than 0.25% weighted average lead content
- Complies with California Proposition 65 and with the Federal Safe Drinking Water Act
- **ADA**  for lever handle
- The backflow protection system in this device consists of two independently operating check valves, a primary and a secondary which prevent backflow

## WARRANTY

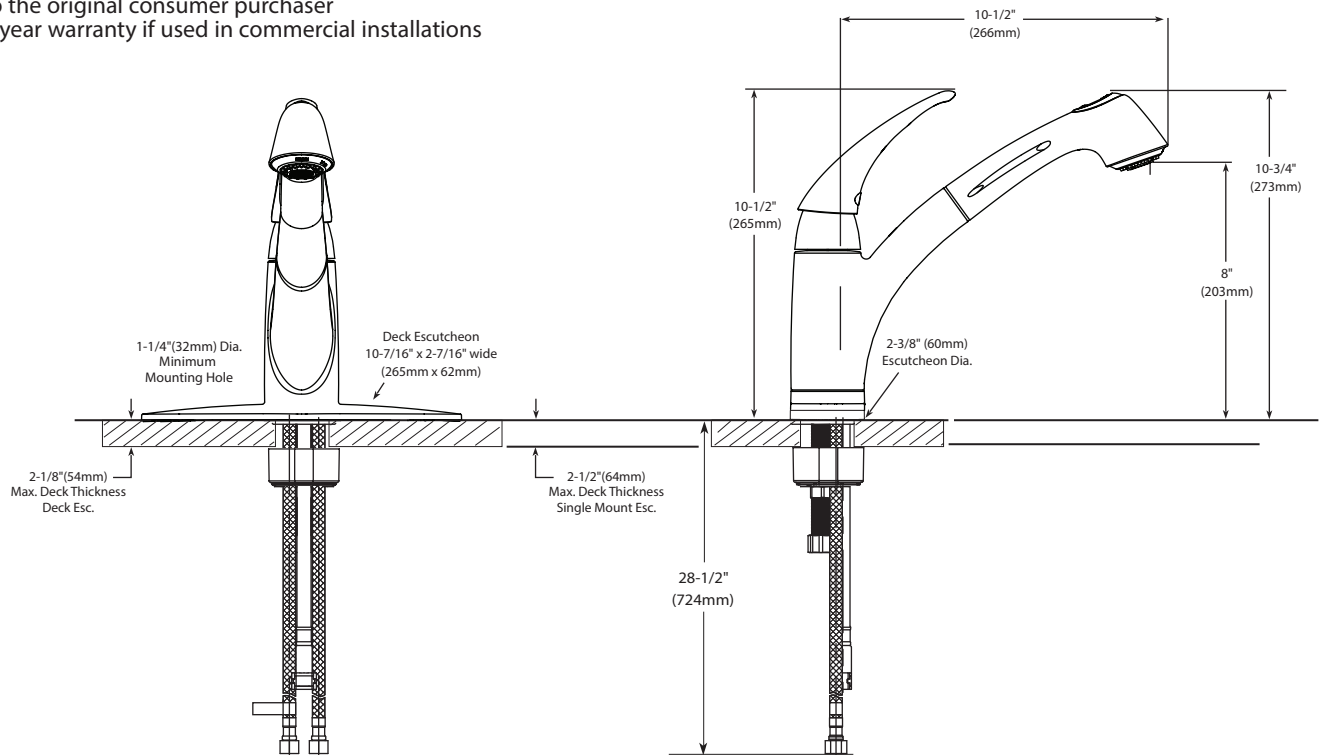
- Lifetime limited warranty against leaks, drips and finish defects to the original consumer purchaser
- 5 year warranty if used in commercial installations



## Extensa® Single Control Kitchen Faucet w/Pullout Spray

Models: 7560 series

**NOTE:** DESIGNED TO INSTALL  
THRU 1 OR 3 HOLES 1-1/2" (38mm) MIN. DIA.



## CRITICAL DIMENSIONS

(DO NOT SCALE)



Buy it for looks. Buy it for life.®

# Specifications

## FAUCET DESCRIPTION

- Metal construction with various finishes identified by suffix
- Quick connect installation
- Flush button with raised stream and spray indicators
- Pullout spray with 55" braided hose
- 1/2" IPS connections will accept standard ball nose connection for 3/8" tubing
- Chrome liquid dispenser included with 87560CSD

## OPERATION

- Lever style handle
- Temperature controlled by 180° arc of handle travel
- Spout receptor rotation is 120°
- Operates with less than 5 lbs. of force
- Operates in stream or spray mode in the pullout or retracted position

## FLOW

- Flow is limited to 2.2 gpm (8.3 L/min) at 60 psi

## CARTRIDGE

- 1225 cartridge design
- Engineered polymers, non-ferrous and stainless steel materials

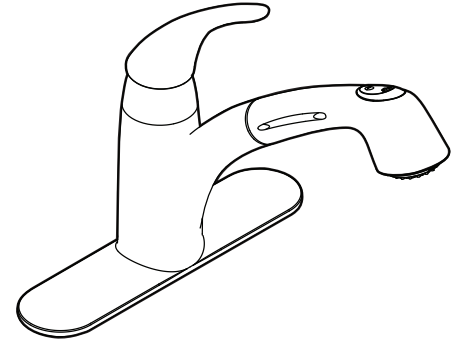
## STANDARDS

- Designed and manufactured to comply with the requirements of: CSA B-125.1, ASME A112.18.1, IAPMO PS 49-92, NSF 61 Section 9, California Proposition 65, ICC A117.1
- The backflow protection system in the device consists of two independently operating check valves, a primary and a secondary which prevent backflow

- ADA  for lever handle

## WARRANTY

- Lifetime limited warranty against leaks, drips and finish defects to the original consumer purchaser
- 5 year warranty if used in commercial installations

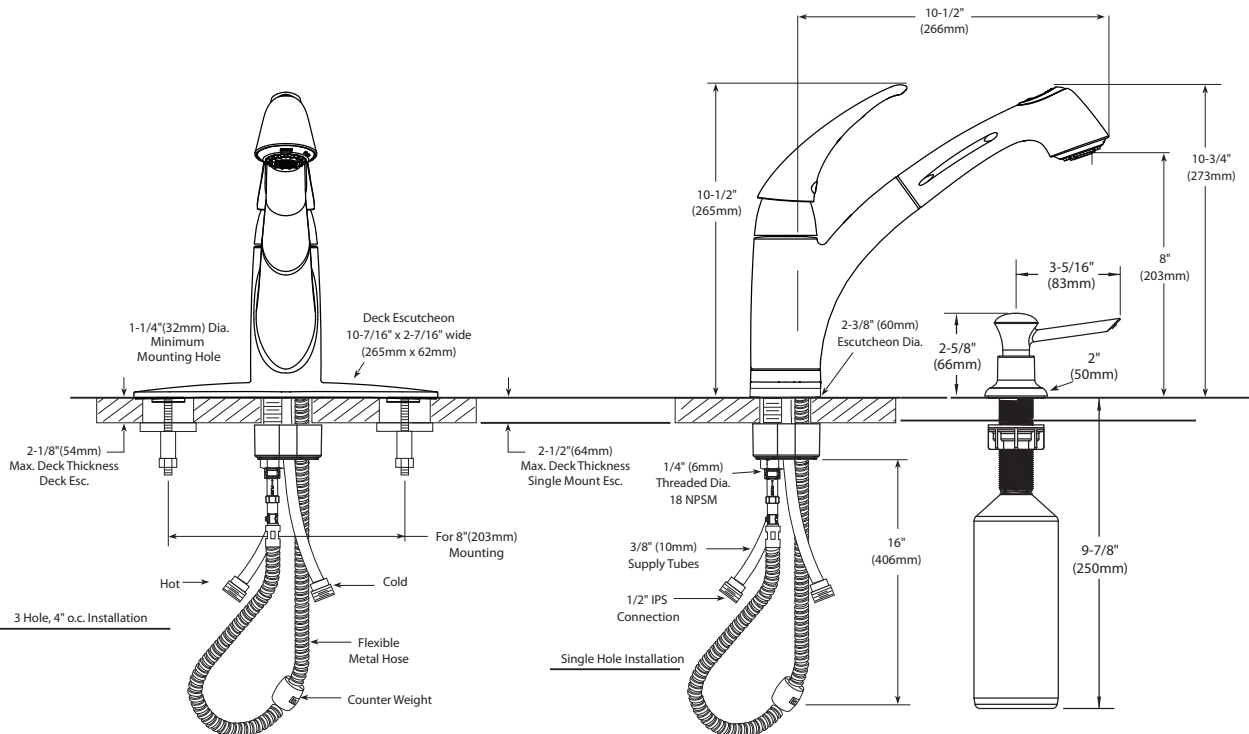


## Extensa® Single Control Kitchen Faucet w/Pullout Spray

Models: 7560 series  
87560 series

**DISCONTINUED MODELS:** 7560, 7560CS,  
7560CBL, 87560C, 87560S, 87560SLBL, 87560CS,  
87560CBL, 87560

**NOTE:** DESIGNED TO INSTALL  
THRU 1 OR 3 HOLES 1-1/4" (32mm) DIA.



## CRITICAL DIMENSIONS

(DO NOT SCALE)