



A Moen Incorporated Brand

Model:  
CA47513 series

**Flagstone**<sup>®</sup>



UPC<sup>®</sup> NSF 61/9



## One Handle Kitchen With Spray

### DESCRIPTION

- Metal construction with chrome plated finish
- Includes hose and spray
- Hose reach 36", hose length 48"
- Chrome finish, white spray (47513); Chrome finish, black spray (47513B)
- 1/2" IPS connections
- Will accept standard cone/bevelled connection for 3/8" tubing
- Six (6) individual boxes per master carton

### OPERATION

- Pivot action, lever style handle
- Temperature control by 90° arc
- Features international red/blue markings

### FLOW

- Spout flow limited to 1.5 gpm (5.7 L/min) at 60 psi

### CARTRIDGE

- Ceramic disc technology
- Non-metallic, non-ferrous, and plastic material
- Single body construction for easy replacement

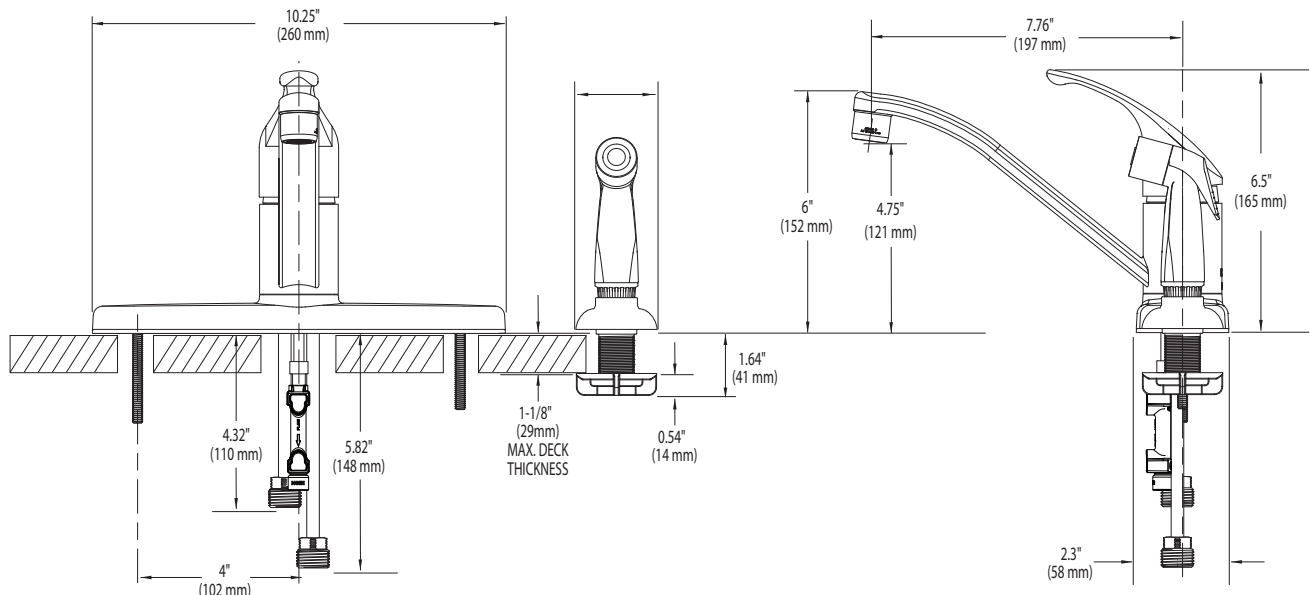
### STANDARDS

- Third party certified to ASME A112.18.1/CSA B125.1, and all applicable requirements referenced therein, California Proposition 65, Illinois, Massachusetts, and Texas
- Contains no more than 0.25% weighted average lead content
- All CFG products are compliant to all plumbing codes that require 3rd party certification to the applicable plumbing/fitting standards
- Feature red/blue hot/cold temperature indicators
- ADA for lever handle

### WARRANTY – RESIDENTIAL, COMMERCIAL

- One year limited warranty against defects in materials and manufacturing workmanship
- Refer to the installation instructions enclosed with each CFG product or call 1-888-450-4910 for complete warranty information

### CRITICAL DIMENSIONS



Model:  
CA47513 series



A Moen Incorporated Brand

**Flagstone**<sup>®</sup>



UPC<sup>®</sup> NSF 61/9



## One Handle Kitchen With Spray

### DESCRIPTION

- Metal construction with chrome plated finish
- Includes hose and spray
- Hose reach 36"; hose length 48"
- Chrome finish, white spray (47513); Chrome finish, black spray (47513B)
- 1/2" IPS connections
- Will accept standard cone/bevelled connection for 3/8" tubing
- Six (6) individual boxes per master carton

### OPERATION

- Pivot action, lever style handle
- Temperature control by 90° arc
- Features international red/blue markings

### FLOW

- Spout flow limited to 2.0 gpm (7.6 L/min) at 60 psi

### CARTRIDGE

- Ceramic disc technology
- Non-metallic, non-ferrous, and plastic material
- Single body construction for easy replacement

### STANDARDS

- Third party certified to ASME A112.18.1/CSA B125.1, ANSI A117.1 and all applicable requirements referenced therein, California Proposition 65, Illinois, Massachusetts, and Texas
- Contains no more than 0.25% weighted average lead content
- All CFG products are compliant to all plumbing codes that require 3rd party certification to the applicable plumbing/fitting standards
- Feature red/blue hot/cold temperature indicators
- ADA for lever handle

### WARRANTY – RESIDENTIAL, COMMERCIAL

- One year limited warranty against defects in materials and manufacturing workmanship
- Refer to the installation instructions enclosed with each CFG product or call 1-888-450-4910 for complete warranty information

The use of aerator part 116711 reduces flow to a maximum of 1.5 gpm (5.7L/min.)

### CRITICAL DIMENSIONS

