

INDUSTRIAL THERMOMETER

7" & 9" Adjustable Angle - Spirit Fill

Miljoco liquid-in-glass thermometers are designed for commercial construction & industrial applications such as piping & air ducts. This instrument represents the accepted worldwide engineering standard for industrial thermometers with die cast aluminum case construction for rugged durability. The non-toxic, organic spirit-filled tube provides an accurate and quick response while maintaining environmental safety.

General Specifications

CASE: Precision die cast aluminum, green powder coat finish.

LENS: Acrylic to 300°F, glass above 300°F.

SCALE: Aluminum with white finish and black markings, v-shaped for optimum readability.

TUBE: Non-toxic, blue organic-filled glass tube with magnifying lens front. Bore over the spirit column is filled with nitrogen and the tube is shock mounted to reduce the risk of separation during shipment and use.

ADJUSTABLE FITTING: Finished to match the case and locked in place with a screw. Provides 180° adjustment in vertical plane and 360° adjustment in horizontal plane.

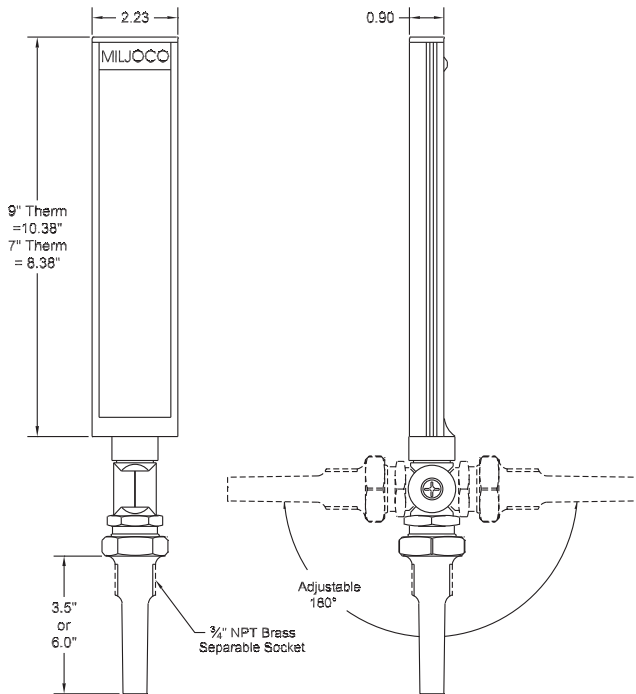
CONNECTION: 1-1/4"-18 UNF threaded brass coupling nut.

STEM: Aluminum, tapered to fit standard industrial thermowells, packed with heat transfer paste to provide maximum temperature response.

ACCURACY: ±1 scale division.

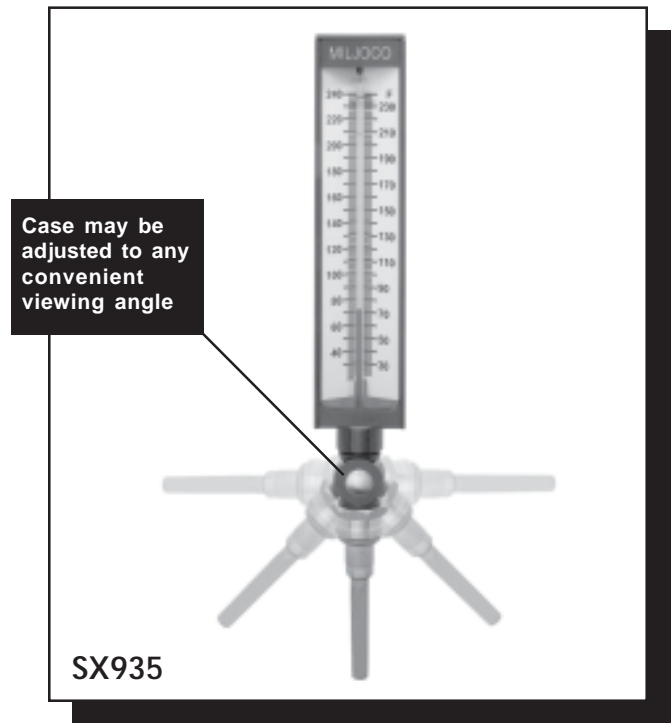
AMBIENT TEMPERATURE: -40 to 140°F (-40 to 60°C).

Dimensions (in.)



Options

- Glass Lens
- Air-Duct Stem
- Brass Stem
- Stainless Steel Stem



Models

Model	Scale Size	Stem Length	Model	Scale Size	Stem Length
SX735	7"	3 1/2"	SX935	9"	3 1/2"
SX760	7"	6"	SX960	9"	6"

Ranges

Code	Range	°F Scale		°C Scale			
		Fig.	Div.	Fig.	Div.		
30	-40 to 110°F	10°	2°	See Dual Scale Ranges Below			
35	0 to 120°F	10°	1°				
75	0 to 160°F	10°	2°				
77	30 to 180°F	10°	2°				
50	30 to 240°F	10°	2°				
60	30 to 300°F	10°	2°				
100	50 to 400°F	25°	5°				
97	50 to 550°F	50°	5°				
31	-40 to 110°F / -40 to 40°C	20°	2°			10°	1°
36	0 to 120°F / -10 to 50°C	20°	1°			10°	1°
76	0 to 160°F / -15 to 70°C	10°	2°	5°	1°		
78	30 to 180°F / 0 to 80°C	10°	2°	5°	1°		
51	30 to 240°F / 0 to 115°C	20°	2°	10°	1°		
61	30 to 300°F / 0 to 150°C	20°	2°	10°	1°		
101	50 to 400°F / 10 to 205°C	50°	5°	10°	2°		
102	50 to 550°F / 10 to 288°C	100°	5°	20°	2°		

To Order

S X 9 3 5
Model Number

5 0
Range Code

200 Elizabeth St. Mt. Clemens, MI 48043

Ph: 888.888.1498 Fax: 586.777.7891 www.miljoco.com

