

FOR YOUR REFERENCE

MODELS "M" & "MO", TYPE B, GAS VENT

METAL-FAB ROUND AND OVAL TYPE-B GAS VENT IS LISTED BY UNDERWRITERS LABORATORIES, INC. FOR USE WITH APPROVED GAS FURNACES, HEATERS, FIREPLACES AND BOILERS. METAL-FAB MEETS OR EXCEEDS ALL RECOGNIZED GAS VENTING CODES, STANDARDS OR REQUIREMENTS, WHETHER LOCAL, STATE, OR UNITED STATES. MAXIMUM TEMPERATURE RATING FOR B-VENT IS 530° F.

1" Minimum clearance to combustibles for 3" through 24" diameters.

2" Minimum clearance to combustibles for 26" through 30" diameters.

Round pipe and fittings available in 3" through 30" diameters.

Oval pipe and fittings available in 4", 5", and 6" diameters.



Listed 441

MATERIAL SPECIFICATIONS

The outer wall is constructed of galvanized steel, .018" thick G-90 for sizes 3" to 14" diameter, and .024" thick G-90 for sizes 16" to 30" diameter.

The inner wall is constructed of aluminum alloy, .012" thick for sizes 3" to 8" diameter and .018" thick for sizes 10" to 30" diameter.

The vent includes an integral, annular insulating air space, ¼" thick for sizes 3" to 6" diameter and ½" thick for sizes 7" to 30" diameter.

ADAPTABILITY

Metal-Fab round B-Vent has been evaluated and listed by Underwriters Laboratories, Inc., to mate with other specifically identified and UL listed round gas vent, in 3" through 6" diameters. Metal-Fab's approval covers connections at both the male (outlet) end, and the female (inlet) end to the following B-Vent products:

American Metal Products Co.	(Amerivent)
Continental Industries, Inc.	(AirJet)
ECCO Manufacturing	(Model E/R)
Hart & Cooley, Inc.	(Hart & Cooley B-Vent)
M&G Duravent, Inc.	(Type B Gas Vent)
Mitchell Metal Products, Inc.	(Mitch Vent)
Selkirk Corporation	(Energy Vent)

At the male (outlet) end of compatible gas vent, add an adapter or adjustable length (M6A, M12A, or M18A) - then add sections of Metal-Fab pipe. At the female (inlet) end of compatible vent simply insert the male end of Metal-Fab B-Vent into the compatible gas vent and secure per instructions.

SURELOCK™ B-VENT LOCKING SYSTEM:

The design of the SureLock™ B-Vent Locking System is unique. The male end of the pipe features a square dimple, positioned in the exact location to match the tab that is located on the female end of the pipe. When the pipe is joined and twisted until it stops, the SureLock™ tab can be pushed into the square dimple, therefore creating a positive twist lock that cannot be twisted apart. So unique that a patent is pending.



Line up the pipe ends.



Push the ends of the pipe together.



Twist to engage the twist lock.



Depress the SureLock™ tab to secure pipe sections.

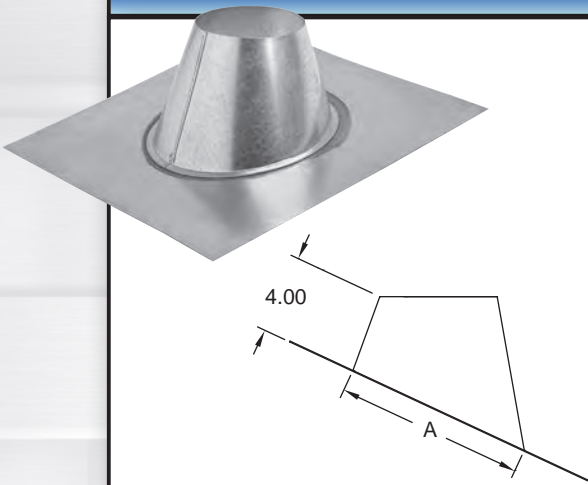


To unlock, simply bend out the tab.



Untwist and pull pipe apart.

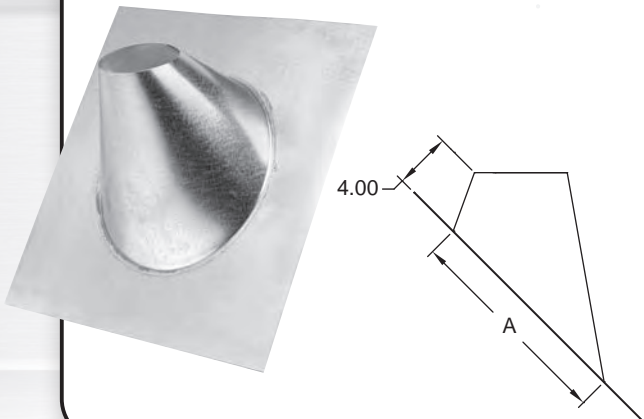
STANDARD FLASHING – MF



CAT. NO.	SIZE	A	PLATE	CAT. NO.	SIZE	A	PLATE
3MF	3"	7.50"	14.63" x 14.63"	16MF	16"	21.00"	29.00" X 29.00"
4MF	4"	7.50"	14.63" x 14.63"	18MF	18"	22.75"	32.00" X 32.00"
5MF	5"	8.25"	14.63" x 14.63"	20MF	20"	27.00"	33.00" X 33.00"
6MF	6"	9.50"	17.50" X 17.50"	22MF	22"	26.75"	35.00" X 35.00"
7MF	7"	11.00"	19.00" X 19.00"	24MF	24"	29.25"	38.00" X 38.00"
8MF	8"	12.00"	20.00" X 20.00"	26MF	26"	31.75"	40.00" X 40.00"
10MF	10"	14.63"	22.38" X 22.38"	28MF	28"	32.75"	42.00" X 42.00"
12MF	12"	16.63"	24.00" X 24.00"	30MF	30"	36.25"	45.00" X 45.00"
14MF	14"	18.75"	26.75" X 26.75"				

Fits roof pitch 2/12 to 5/12.

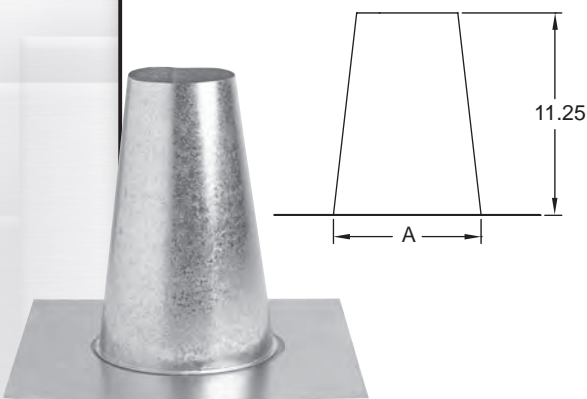
12/12 FLASHING – MF - 12



CAT. NO.	SIZE	A	PLATE
3MF-12	3"	12.00"	20.00" x 20.00"
4MF-12	4"	12.00"	20.00" x 20.00"
5MF-12	5"	12.00"	20.00" x 20.00"
6MF-12	6"	12.50"	21.00" x 28.00"
7MF-12	7"	13.00" X 18.00" Oval	21.00" x 28.00"
8MF-12	8"	13.00" X 18.00" Oval	21.00" x 28.00"

Fits roof pitch 6/12 to 12/12.

TALL CONE FLAT FLASHING – MFT



CAT. NO.	SIZE	A	PLATE	CAT. NO.	SIZE	A	PLATE
3MFT	3"	7.50"	14.63" x 14.63"	16MFT	16"	21.31"	29.00" X 29.00"
4MFT	4"	7.50"	14.63" x 14.63"	18MFT	18"	22.56"	32.00" X 32.00"
5MFT	5"	8.25"	14.63" x 14.63"	20MFT	20"	24.75"	33.00" X 33.00"
6MFT	6"	9.50"	17.50" X 17.50"	22MFT	22"	26.75"	35.00" X 35.00"
7MFT	7"	11.00"	19.00" X 19.00"	24MFT	24"	28.75"	38.00" X 38.00"
8MFT	8"	12.00"	20.00" X 20.00"	26MFT	26"	30.75"	40.00" X 40.00"
10MFT	10"	14.63"	22.38" X 22.38"	28MFT	28"	33.88"	42.00" X 42.00"
12MFT	12"	16.63"	24.00" X 24.00"	30MFT	30"	34.75"	45.00" X 45.00"
14MFT	14"	19.00"	26.75" X 26.75"				

Flat roof flashing