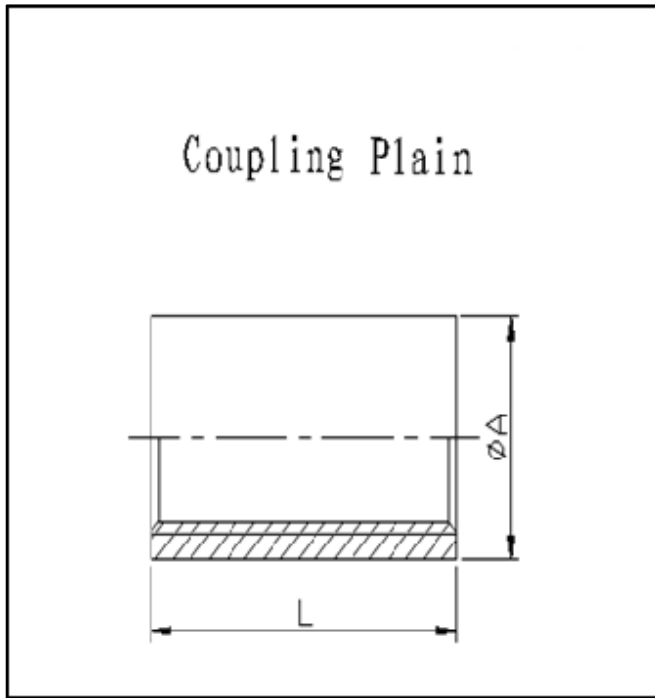


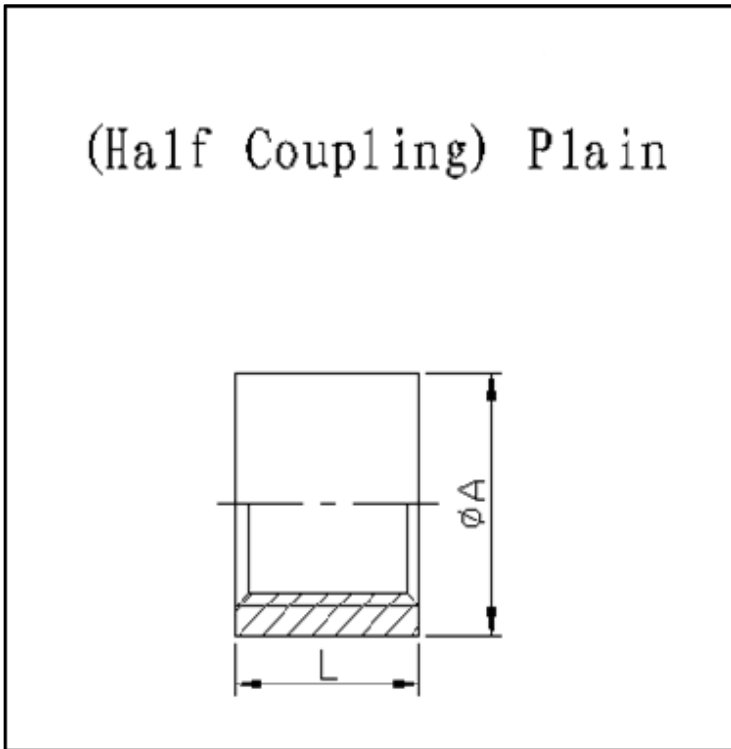
Industry Standard Pattern Couplings (KP)



NPT/PT

inch

SIZE	ϕA	L
1/8"	0.57	1.01
1/4"	0.71	1.10
3/8"	0.85	1.19
1/2"	1.01	1.38
3/4"	1.19	1.59
1"	1.48	1.72
1-1/4"	1.84	1.97
1-1/2"	2.09	2.23
2"	2.58	2.56
2-1/2"	3.11	2.91
3"	3.76	3.23
4"	4.77	3.72

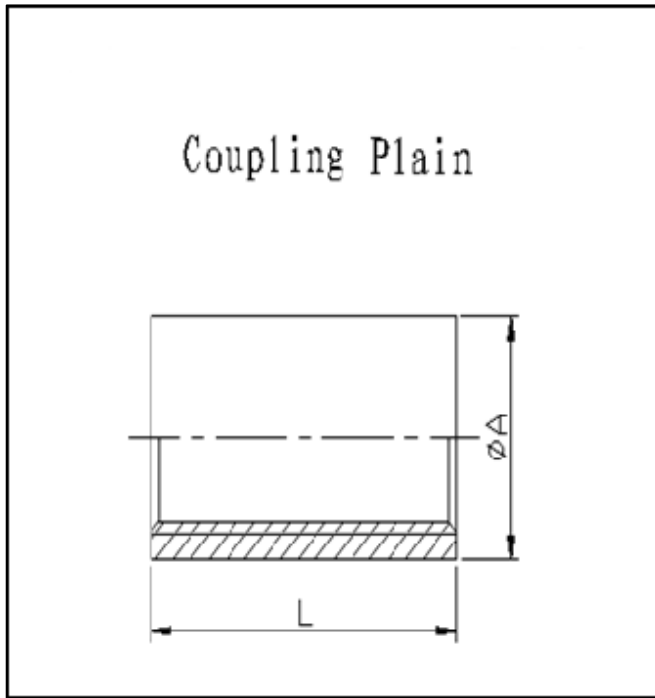


inch

NPT/PT

SIZE	ϕA	L
1/8"	0.59	0.50
1/4"	0.73	0.57
3/8"	0.87	0.59
1/2"	1.03	0.70
3/4"	1.19	0.84
1"	1.48	0.88
1-1/4"	1.84	1.01
1-1/2"	2.09	1.13
2"	2.58	1.30
2-1/2"	3.11	1.49
3"	3.76	1.65
4"	4.77	1.91

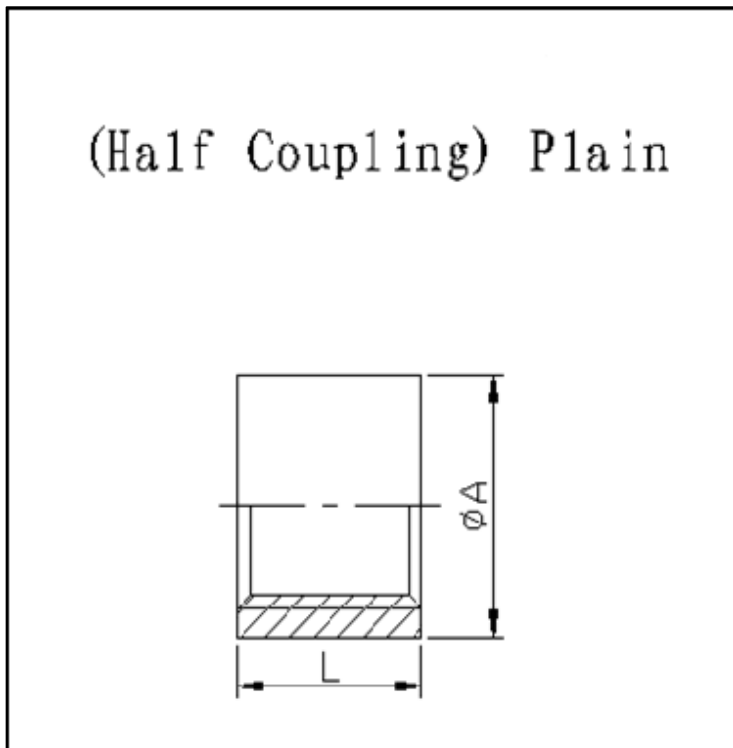
ISO49 Heavy Pattern Couplings



NPT/PT

inch

SIZE	ϕA	L
1/8"	0.62	1.01
1/4"	0.78	1.10
3/8"	0.89	1.19
1/2"	1.11	1.38
3/4"	1.37	1.59
1"	1.65	1.72
1-1/4"	1.93	1.97
1-1/2"	2.24	2.23
2"	2.80	2.56
2-1/2"	3.40	2.91
3"	4.16	3.23
4"	5.07	3.72



inch

NPT/PT

SIZE	ϕA	L
1/8"	0.62	0.50
1/4"	0.79	0.57
3/8"	0.91	0.59
1/2"	1.09	0.70
3/4"	1.35	0.84
1"	1.66	0.88
1-1/4"	1.91	1.01
1-1/2"	2.22	1.13
2"	2.78	1.30
2-1/2"	3.39	1.49
3"	4.13	1.65
4"	5.20	1.91