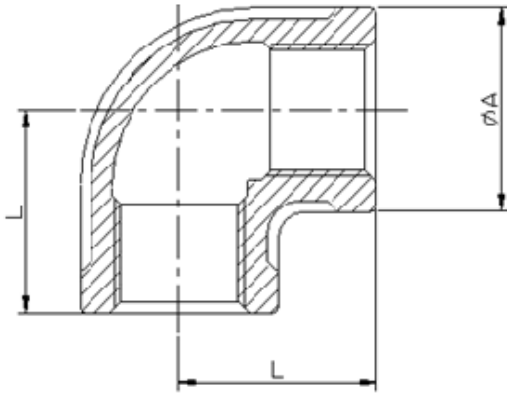


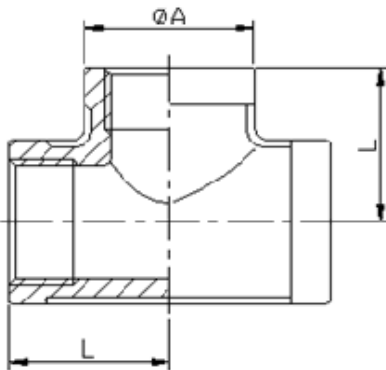
Elbow 90 Equal
Banded F/F



inch

SIZE	ϕA	L
1/8"	0.67	0.75
1/4"	0.84	0.83
3/8"	0.93	0.84
1/2"	1.14	1.06
3/4"	1.42	1.30
1"	1.69	1.50
1-1/4"	2.05	1.77
1-1/2"	2.30	1.97
2"	2.81	2.24
2-1/2"	3.43	2.74
3"	3.92	3.03
4"	4.96	3.87

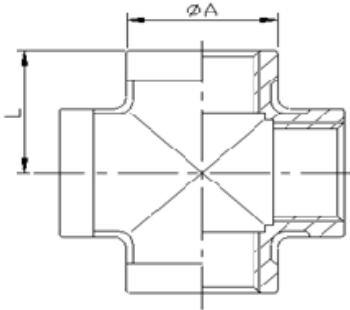
Tee Banded



inch

SIZE	ϕA	L
1/8"	0.67	0.75
1/4"	0.84	0.83
3/8"	0.93	0.93
1/2"	1.18	1.10
3/4"	1.38	1.30
1"	1.69	1.50
1-1/4"	2.05	1.77
1-1/2"	2.30	1.97
2"	2.81	2.28
2-1/2"	3.43	2.76
3"	3.94	3.09
4"	4.92	3.82

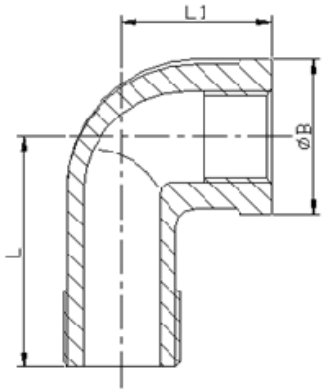
Cross Banded



inch

SIZE	ϕA	L
1/8"	0.60	0.67
1/4"	0.78	0.73
3/8"	0.92	0.90
1/2"	1.10	1.06
3/4"	1.37	1.26
1"	1.72	1.48
1-1/4"	2.09	1.81
1-1/2"	2.28	1.87
2"	2.80	2.28
2-1/2"	3.43	2.72
3"	3.90	3.03
4"	4.92	3.82

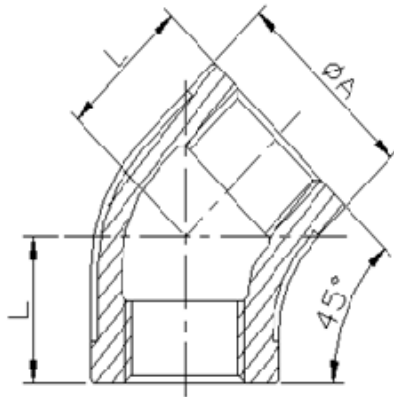
Street Elbow 90 M/F



inch

SIZE	ϕB	L	L1
1/8"	0.67	0.98	0.75
1/4"	0.83	1.11	0.83
3/8"	0.98	1.26	0.98
1/2"	1.14	1.65	1.10
3/4"	1.38	1.99	1.30
1"	1.69	2.05	1.50
1-1/4"	2.05	2.36	1.77
1-1/2"	2.31	2.56	1.97
2"	2.82	2.91	2.28
2-1/2"	3.39	3.98	2.72
3"	3.94	4.51	3.03
4"	4.98	5.77	3.82

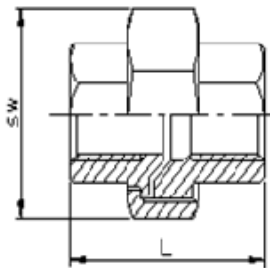
Elbow 45 Equal Banded F/F



inch

SIZE	ϕA	L
1/8"	0.71	0.71
1/4"	0.83	0.67
3/8"	0.98	0.79
1/2"	1.16	0.87
3/4"	1.40	0.98
1"	1.69	1.10
1-1/4"	2.06	1.30
1-1/2"	2.28	1.42
2"	2.83	1.69
2-1/2"	3.43	1.93
3"	3.94	2.17
4"	4.94	2.52

Union Conical Joint F/F



inch

SIZE	L	SW
1/8"	1.14	0.98
1/4"	1.48	1.18
3/8"	1.50	1.38
1/2"	1.65	1.65
3/4"	1.93	1.85
1"	1.89	2.09
1-1/4"	2.32	2.80
1-1/2"	2.56	3.03
2"	2.72	3.62
2-1/2"	3.15	4.41
3"	3.46	4.96
4"	4.25	6.18