

Float Valve MIP X PLAIN & MIP X MIP • Spec Sheet



FEATURES & BENEFITS

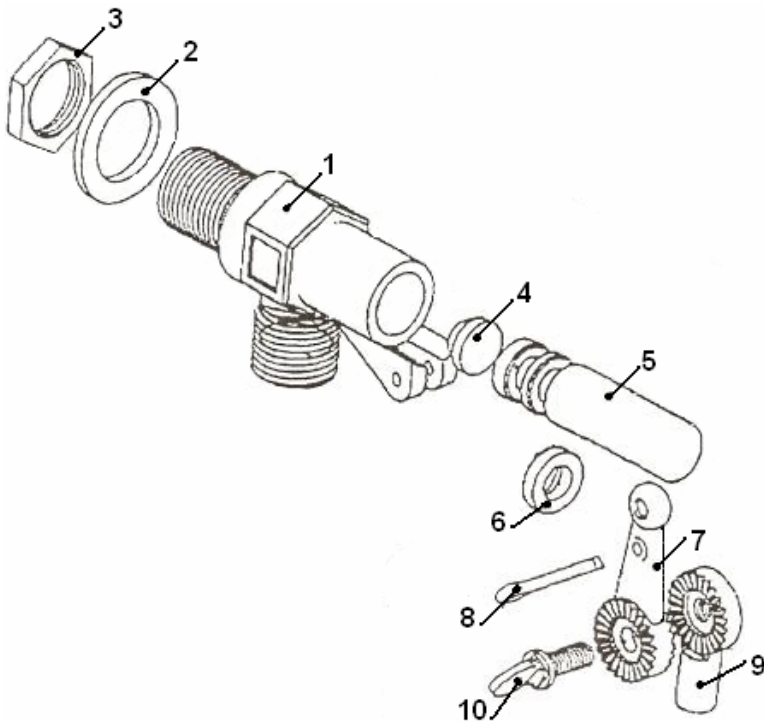
- ISO-9002
- Float Valve
- 125 WOG
- MIP Inlet – Plain Outlet 1/2" & 3/4"
- MIP Inlet – MIP Outlet 1/2" & 3/4"

FV-303- 1/2"

FV-303P- 1/2"

FV-404- 3/4"

FV-404P- 3/4"



MATERIAL SPECIFICATION

No.	Name	Material
1	Body	Bronze C84400
2	Packing	Rubber NBR
3	Nut	Brass Rod C3600
4	Washer	Buna
5	Plunger	Brass Rod C3600
6	Leather Ring	Leather
7	Long Arm	Forged Brass C37700
8	Cotter Pin	Brass Wire C3600
9	Short Arm	Forged Brass C37700
10	Thumb Screw	Brass Rod C36000

MATCO-NORCA

Global sourcing. National compliance. Local service.

NEW YORK
TEXAS
CALIFORNIA

WEB: www.matco-norca.com

PO Box 27, Rt. 22, Brewster NY 10509 • Toll Free: 800-431-2082 • Fax: 845-278-9056

1150 Silber Rd., Houston TX 77055 • Toll Free: 800-935-5456 • Fax: 713-680-2999

5593 Fresca Dr., La Palma CA 90623 • Toll Free: 866-532-8306 • Fax: 714-522-3828

EMAIL: mail@matco-norca.com