

759LF Brass Ball Valve • Spec Sheet



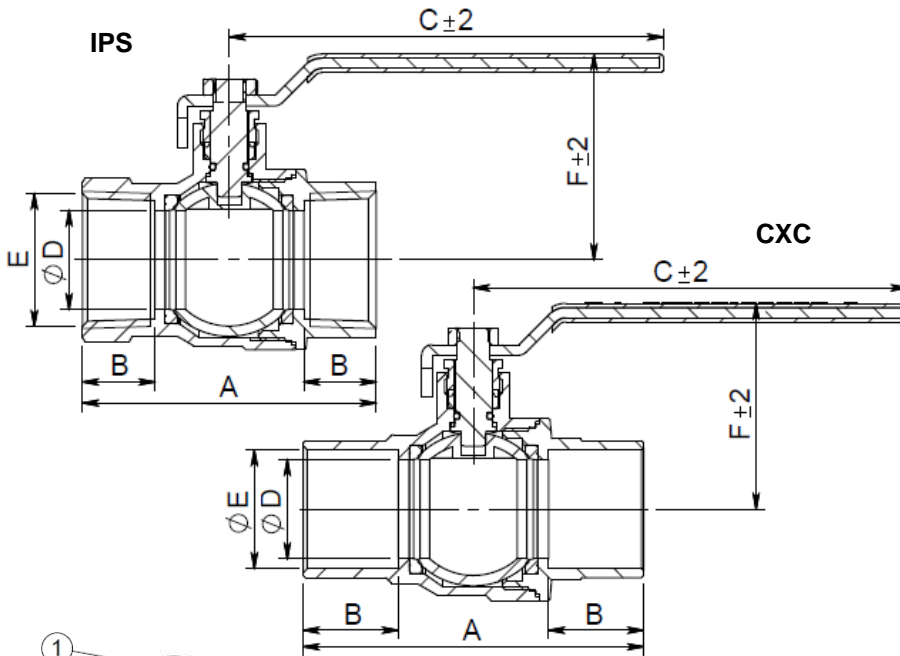
1/4" – 1-1/2"

FEATURES & BENEFITS

- Lead Free Forged Brass
- Full Port
- Two Piece Body
- Blow-Out Proof Stem
- Chrome Plated Solid Brass Ball
- Thread Ends Comply Per ANSI B1.20.1
- Conforms to MSS-SP-110
- 1/4" - 4" Rated: 600 PSI Non- Shock CWP - 150 PSI SWP
- CSA Gas Approved to 2" (IPS Only)

APPLICATIONS

- Commercial & Light Industrial/ Steam, Water, Oil, Gas, Air



IPS DIMENSIONS

Size	A	B	C	D	E	F
1/4"	1.73	0.45	3.07	Ø0.39	18NPT	1.44
3/8"	1.73	0.45	3.07	Ø0.39	18NPT	1.44
1/2"	2.05	0.55	3.07	Ø0.51	14NPT	1.54
3/4"	2.30	0.57	4.14	Ø0.71	14NPT	1.78
1"	2.80	0.69	4.14	Ø0.95	11.5NPT	1.96
1-1/4"	3.15	0.69	4.93	Ø1.20	11.5NPT	2.49
1-1/2"	3.51	0.71	4.93	Ø1.46	11.5NPT	2.67

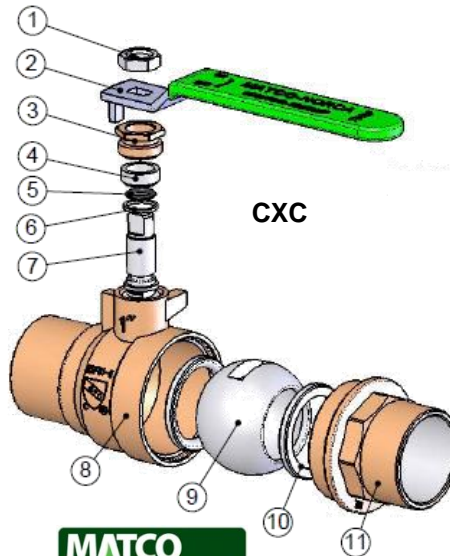
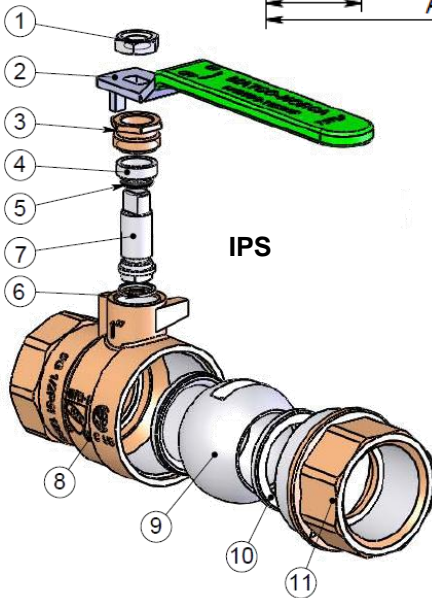
CXC DIMENSIONS

Size	A	B	C	D	E	F
1/2"	1.97	0.49	3.07	Ø0.51	Ø0.63	1.54
3/4"	2.71	0.75	4.14	Ø0.71	Ø0.88	1.78
1"	3.25	0.91	4.14	Ø0.95	Ø1.13	1.96
1-1/4"	3.62	0.93	4.93	Ø1.20	Ø1.38	2.49
1-1/2"	4.29	1.10	4.93	Ø1.46	Ø1.63	2.67

MATERIAL SPECIFICATION

No.	Part	Material
1	Hex Nut	Steel
2	Handle	Steel
3	Packing Nut	Brass
4	Packing Gland	PTFE
5	O-Ring	EPDM
6	Washer	PTFE
7	Stem	Brass C36000
8	Body	Brass C46500
9	Ball	1/2"-1":Brass C46500 1-1/4"&1-1/2":SS
10	Seat	PTFE
11	Body	Brass C46500

*This product complies with 0.25% weighted average lead content on wetted surfaces in accordance with the Safe Drinking Water Act (SDWA) / Federal Public Law No. 111-380.



759LF Brass Ball Valve • Spec Sheet



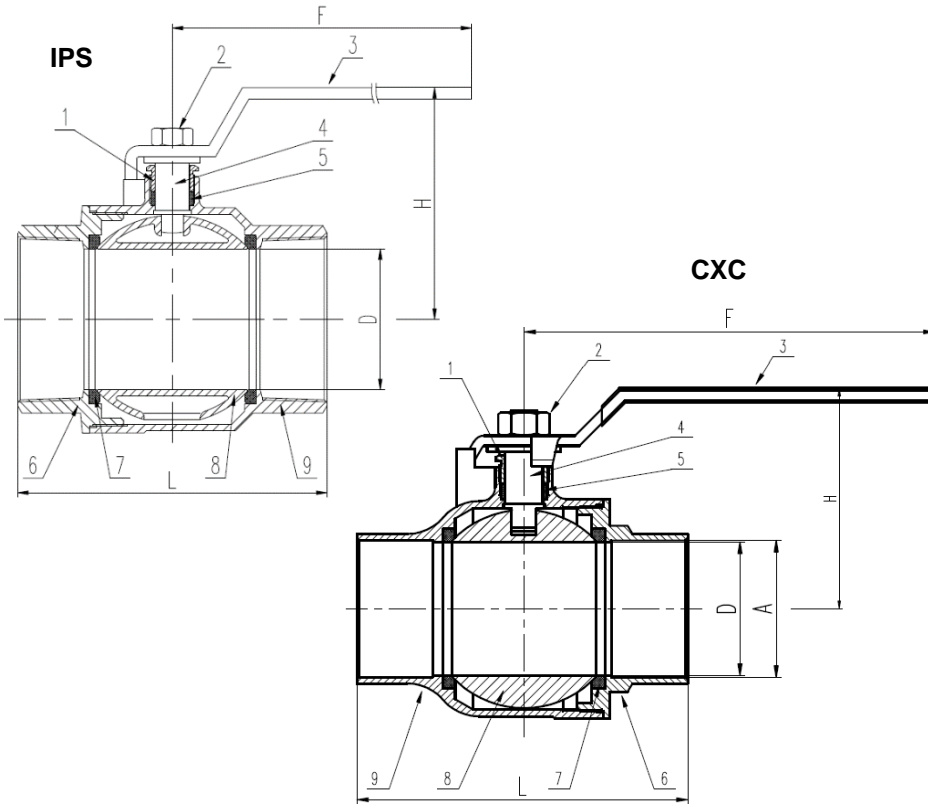
2" – 4"

FEATURES & BENEFITS

- Lead Free Forged Brass
- Full Port
- Two Piece Body
- Blow-Out Proof Stem
- Chrome Plated Solid Brass Ball
- Thread Ends Comply Per ANSI B1.20.1
- Conforms to MSS-SP-110
- 1/4" - 4" Rated: 600 PSI Non- Shock CWP - 150 PSI SWP
- CSA Gas Approved to 2" (IPS Only)

APPLICATIONS

- Commercial & Light Industrial/ Steam, Water, Oil, Gas, Air



IPS DIMENSIONS

Size	L	D	H	F
2"	4.41	Ø1.97	3.27	5.52
2-1/2"	5.99	Ø2.56	4.59	9.06
3"	6.50	Ø2.96	4.87	9.06
4"	7.76	Ø3.90	5.67	10.1

CXC DIMENSIONS

Size	L	D	A	H	F
2"	5.34	Ø1.97	Ø2.13	3.27	5.52
2-1/2"	6.38	Ø2.56	Ø2.63	4.24	7.92
3"	7.17	Ø2.96	Ø3.13	5.04	9.89
4"	9.22	Ø3.90	Ø4.13	5.71	9.89

MATERIAL SPECIFICATION

No.	Part	Material
1	Gland Nut	Brass
2	Hex Nut	Steel
3	Handle	Steel
4	Stem	Brass
5	Stem Packing	PTFE
6	End Cap	Brass
7	Seat	PTFE
8	Ball	C.P. Brass
9	Body	Brass

*This product complies with 0.25% weighted average lead content on wetted surfaces in accordance with the Safe Drinking Water Act (SDWA) / Federal Public Law No. 111-380.



Global sourcing. National compliance. Local service.

CALIFORNIA 5595 Fresca Dr., La Palma CA 90623
TEXAS 1150 Silber Rd., Houston TX 77055
ILLINOIS 278 Windy Point Dr., Glendale Heights, IL 60139
GEORGIA 113 Industrial Blvd., Americus, Georgia 31709
NEW YORK PO Box 27, Rt.22, Brewster NY 10509
 WEB: www.matco-norca.com

• Phone: 866-532-8306 • Fax: 866-532-8307
 • Phone: 800-935-5456 • Fax: 713-680-2999
 • Phone: 844-412-5068 • Fax: 800-640-2252
 • Phone: 800-433-7526 • Fax: 800-533-5134
 • Phone: 800-431-2082 • Fax: 845-278-9056
 EMAIL: mail@matco-norca.com

759LHLF Ball Valve w/ Locking Handle • Spec Sheet



*Product will have LF imprinted on the body for Lead Free

1/4" - 2"

FEATURES & BENEFITS

- Lead Free Brass
- Full Port
- With Locking Handle
- Two Piece Body
- Blow-Out Proof Stem
- Thread Ends Comply Per ANSI B1.20.1
- Conforms to MSS-SP-110
- 600 PSI Non-Shock / CWP 150 PSI SWP
- cUPC, NSF 61 and NSF 372 Approved
- CSA Gas Approved to 2" (IPS Only)

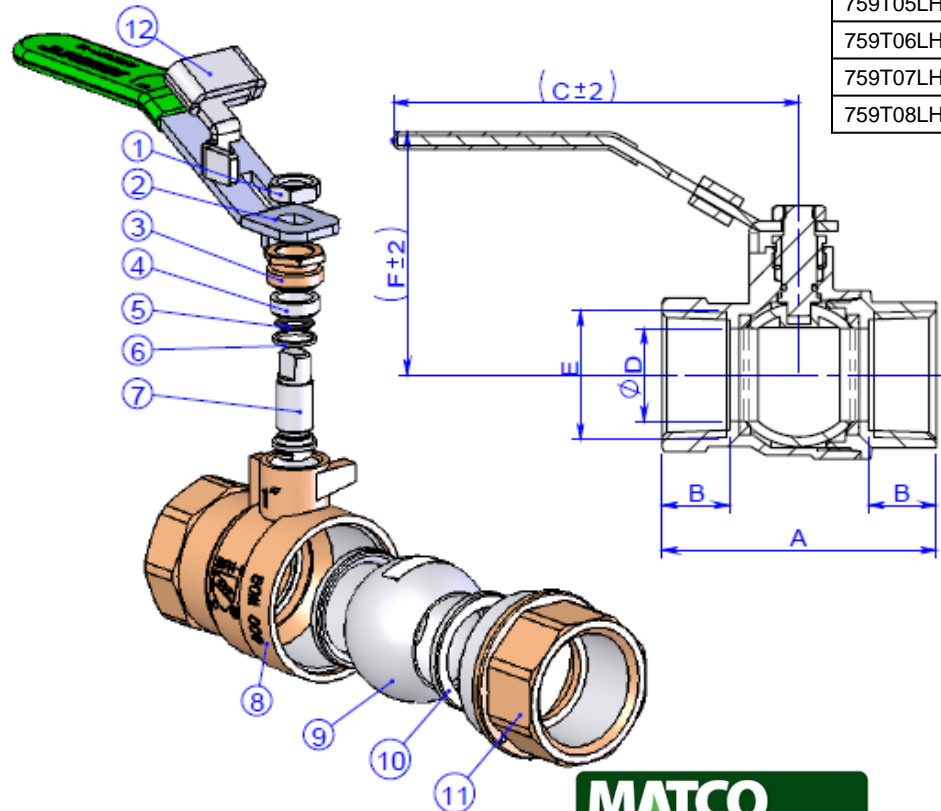
DIMENSIONS

Part #	Size (E)	A	B	C	D	F
759T01LHLF	1/4"	1.73	0.45	3.15	Ø0.39	1.84
759T02LHLF	3/8"	1.73	0.45	3.15	Ø0.39	1.84
759T03LHLF	1/2"	2.05	0.55	3.15	Ø0.51	1.94
759T04LHLF	3/4"	2.30	0.57	4.14	Ø0.71	2.29
759T05LHLF	1"	2.80	0.69	4.14	Ø0.95	2.47
759T06LHLF	1-1/4"	3.15	0.69	4.93	Ø1.20	3.04
759T07LHLF	1-1/2"	3.51	0.71	4.93	Ø1.46	3.22
759T08LHLF	2"	4.20	0.75	7.09	Ø1.95	3.72

MATERIAL SPECIFICATIONS

No.	Part	Material
1	Hex-nut	Steel
2	Handle	Steel
3	Packing Nut	Brass
4	Packing Gland	PTFE
5	O-Ring	EPDM
6	Washer	PTFE
7	Stem	1/2"-1" Brass C46500 1-1/4"-2" Brass 36000
8	Body	Brass C46500
9	Ball	1/2"-1" Brass C46500 1-1/4"-2" SS 304
10	Seat	PTFE
11	Bonnet	Brass C46500
12	Lock Catch	Steel

*This product complies with 0.25% weighted average lead content on wetted surfaces in accordance with the Safe Drinking Water Act (SDWA) / Federal Public Law No. 111-380.



Global sourcing. National compliance. Local service.

CALIFORNIA 5595 Fresca Dr., La Palma CA 90623
TEXAS 1150 Silber Rd., Houston TX 77055
ILLINOIS 278 Windy Point Dr., Glendale Heights, IL 60139
GEORGIA 113 Industrial Blvd., Americus, Georgia 31709
NEW YORK PO Box 27, Rt.22, Brewster NY 10509
 WEB: www.matco-norca.com

• Phone: 866-532-8306 • Fax: 866-532-8307
 • Phone: 800-935-5456 • Fax: 713-680-2999
 • Phone: 844-412-5068 • Fax: 800-640-2252
 • Phone: 800-433-7526 • Fax: 800-533-5134
 • Phone: 800-431-2082 • Fax: 845-278-9056
 EMAIL: mail@matco-norca.com

759LHLF Ball Valve w/ Locking Handle • Spec Sheet



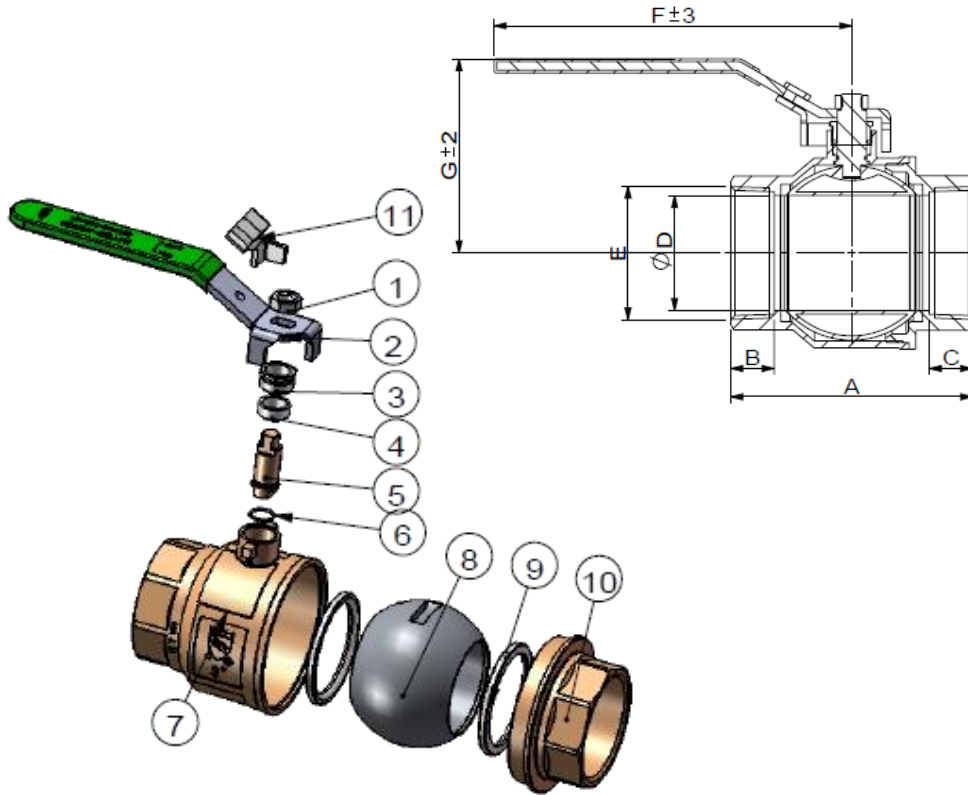
2-1/2" - 4"

FEATURES & BENEFITS

- Lead Free Brass
- Full Port
- With Locking Handle
- Two Piece Body
- Blow-Out Proof Stem
- Thread Ends Comply Per ANSI B1.20.1
- Conforms to MSS-SP-110
- 600 PSI Non-Shock / CWP 150 PSI SWP
- cUPC, NSF 61 and NSF 372 Approved
- CSA Gas Approved to 2" (IPS Only)

DIMENSIONS

Part #	Size (E)	A	B	C	D	F	G
759T09LHLF	2-1/2"	5.56	1.06	1.06	Ø2.50	9.46	4.75
759T10LHLF	3"	6.38	1.14	1.14	Ø3.03	9.46	5.12
759T11LHLF	4"	7.55	1.20	1.20	Ø3.94	9.46	5.87



MATERIAL SPECIFICATIONS

No.	Part	Material
1	Hex-nut	Steel
2	Handle	Steel
3	Packing Nut	Brass
4	Packing Gland	PTFE
5	Stem	Brass C46500
6	O-Ring	EPDM
7	Body	Brass C46500
8	Ball	Stainless Steel
9	Seat	PTFE
10	Bonnet	Brass C46500

*This product complies with 0.25% weighted average lead content on wetted surfaces in accordance with the Safe Drinking Water Act (SDWA) / Federal Public Law No. 111-380.



Global sourcing. National compliance. Local service.

CALIFORNIA 5595 Fresca Dr., La Palma CA 90623
TEXAS 1150 Silber Rd., Houston TX 77055
ILLINOIS 278 Windy Point Dr., Glendale Heights, IL 60139
GEORGIA 113 Industrial Blvd., Americus, Georgia 31709
NEW YORK PO Box 27, Rt.22, Brewster NY 10509
 WEB: www.matco-norca.com

• Phone: 866-532-8306 • Fax: 866-532-8307
 • Phone: 800-935-5456 • Fax: 713-680-2999
 • Phone: 844-412-5068 • Fax: 800-640-2252
 • Phone: 800-433-7526 • Fax: 800-533-5134
 • Phone: 800-431-2082 • Fax: 845-278-9056
 EMAIL: mail@matco-norca.com

759LF Brass Ball Valve With Tee Handle • Spec Sheet



*Product will have LF imprinted on the body for Lead Free

FEATURES & BENEFITS

- Lead Free Forged Brass
- Full Port
- Two Piece Body
- PTFE Seats
- Blow-Out Proof Stem
- Chrome Plated Solid Brass Ball
- Thread Ends Comply Per ANSI B1.20.1
- Conforms to MSS-SP-110
- 1/2" - 1" Rated: 600 PSI Non- Shock CWP - 150 PSI SWP
- CSA Gas Approved to 2" (IPS Only)

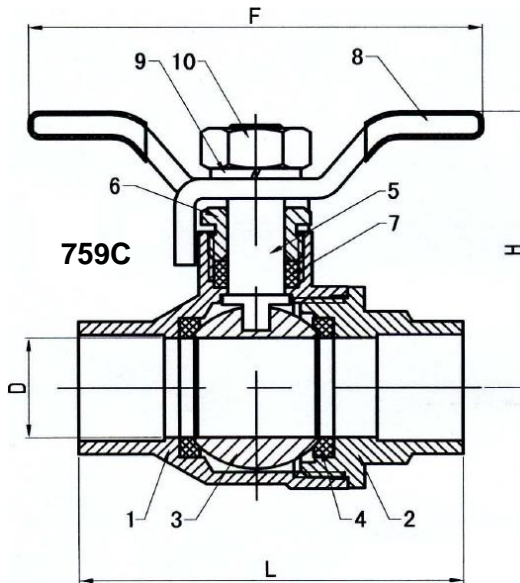
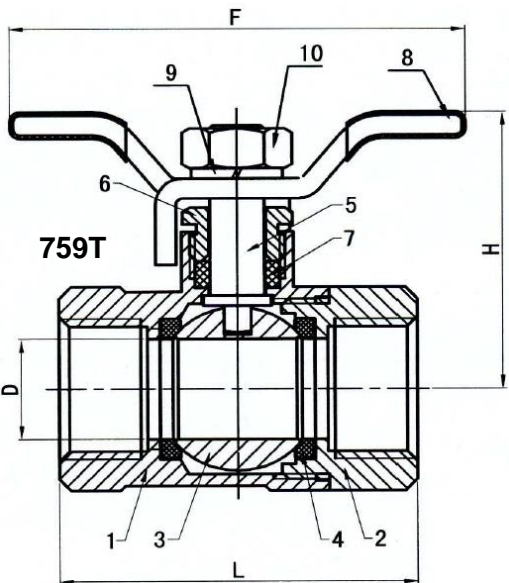
APPLICATIONS

- Commercial & Light Industrial/ Steam, Water, Oil, Gas, Air

DIMENSIONS

Part #	IPS	Size	L	H	D	F
759T01TLF	1/4"		1.69	1.48	.39	2.92
759T03TLF	1/2"		2.07	1.62	0.59	2.92
759T04TLF	3/4"		2.38	1.97	0.75	3.43
759T05TLF	1"		2.90	2.13	0.99	3.43

Part #	CxC	Size	L	H	D	F
759C03TLF	1/2"		2.25	1.62	0.59	2.92
759C04TLF	3/4"		2.82	1.97	0.75	3.43
759C05TLF	1"		3.31	2.13	0.99	3.43



MATERIAL SPECIFICATION

No.	Part	Material
1	Body	Brass
2	End Cap	Brass
3	Ball	Brass
4	Seat	PTFE
5	Stem	Brass
6	Gland Nut	Brass
7	Stem Packing	PTFE
8	Handle	Steel
9	Lock Washer	Brass
10	Hex Nut	Brass



*This product complies with 0.25% weighted average lead content on wetted surfaces in accordance with the Safe Drinking Water Act (SDWA) / Federal Public Law No. 111-380.

Global sourcing. National compliance. Local service.

CALIFORNIA 5595 Fresca Dr., La Palma CA 90623
TEXAS 1150 Silber Rd., Houston TX 77055
ILLINOIS 278 Windy Point Dr., Glendale Heights, IL 60139
GEORGIA 113 Industrial Blvd., Americus, Georgia 31709
NEW YORK PO Box 27, Rt.22, Brewster NY 10509
 WEB: www.matco-norca.com

• Phone: 866-532-8306 • Fax: 866-532-8307
 • Phone: 800-935-5456 • Fax: 713-680-2999
 • Phone: 844-412-5068 • Fax: 800-640-2252
 • Phone: 800-433-7526 • Fax: 800-533-5134
 • Phone: 800-431-2082 • Fax: 845-278-9056
 EMAIL: mail@matco-norca.com

759TSLF Ball Valve With Thumb Grip Handle • Spec Sheet



FEATURES & BENEFITS

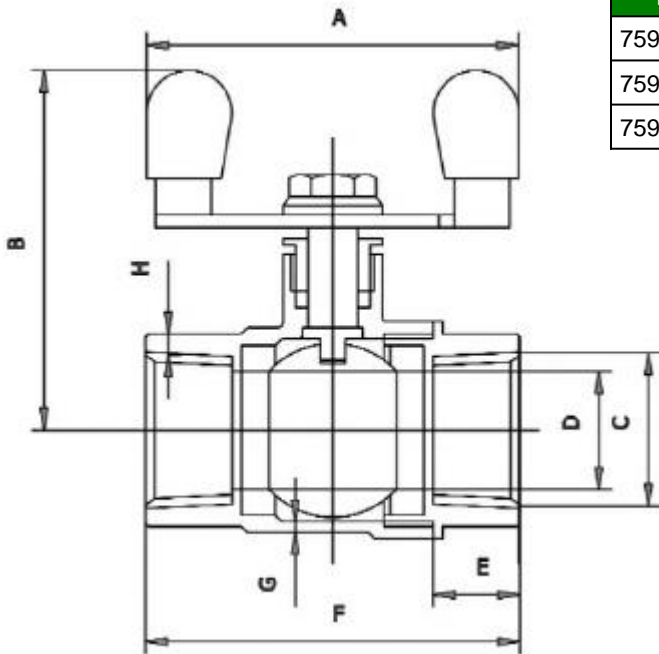
- Full Port
- Forged Brass
- Two Piece Body
- PTFE Seats
- Blow-Out Proof Stem
- Thread Ends Comply Per ANSI B1.20.1
- Conforms to MSS-SP-110
- 1/2" – 1" Rated: 600 PSI Non- Shock CWP – 150 PSI SWP
- CSA Gas Approved (IPS Only)

APPLICATIONS

- Commercial & Light Industrial/ Steam, Water, Oil, Gas, Air
- Stainless Steel T Handle Is Excellent For Underground & Close Quarter Applications

DIMENSIONS

Part #	Size	A	B	C	D	E	F	G	H
759T03TSLF	1/2"	2.05	1.46	0.83	0.59	0.51	2.07	0.07	0.17
759T04TSLF	3/4"	2.36	2.27	1.04	0.75	0.55	2.38	0.07	0.14
759T05TSLF	1"	2.20	2.43	1.30	0.98	0.68	2.89	0.08	0.16



MATERIAL SPECIFICATION

Part	Material
Nut	Stainless Steel GR316
Lock Washer	Stainless Steel GR316
Handle	Stainless Steel GR316
Packing Nut	Brass
Packing	PTFE
Stem	Brass B124-C377000
Seat Ring	PTFE
Ball	C.P. Brass
End Cap	Forged Brass
Body	Forged Brass

*This product complies with 0.25% weighted average lead content on wetted surfaces in accordance with the Safe Drinking Water Act (SDWA) / Federal Public Law No. 111-380.



Global sourcing. National compliance. Local service.

CALIFORNIA 5595 Fresca Dr., La Palma CA 90623
TEXAS 1150 Silber Rd., Houston TX 77055
ILLINOIS 278 Windy Point Dr., Glendale Heights, IL 60139
GEORGIA 113 Industrial Blvd., Americus, Georgia 31709
NEW YORK PO Box 27, Rt.22, Brewster NY 10509
 WEB: www.matco-norca.com

• Phone: 866-532-8306 • Fax: 866-532-8307
 • Phone: 800-935-5456 • Fax: 713-680-2999
 • Phone: 844-412-5068 • Fax: 800-640-2252
 • Phone: 800-433-7526 • Fax: 800-533-5134
 • Phone: 800-431-2082 • Fax: 845-278-9056
 EMAIL: mail@matco-norca.com