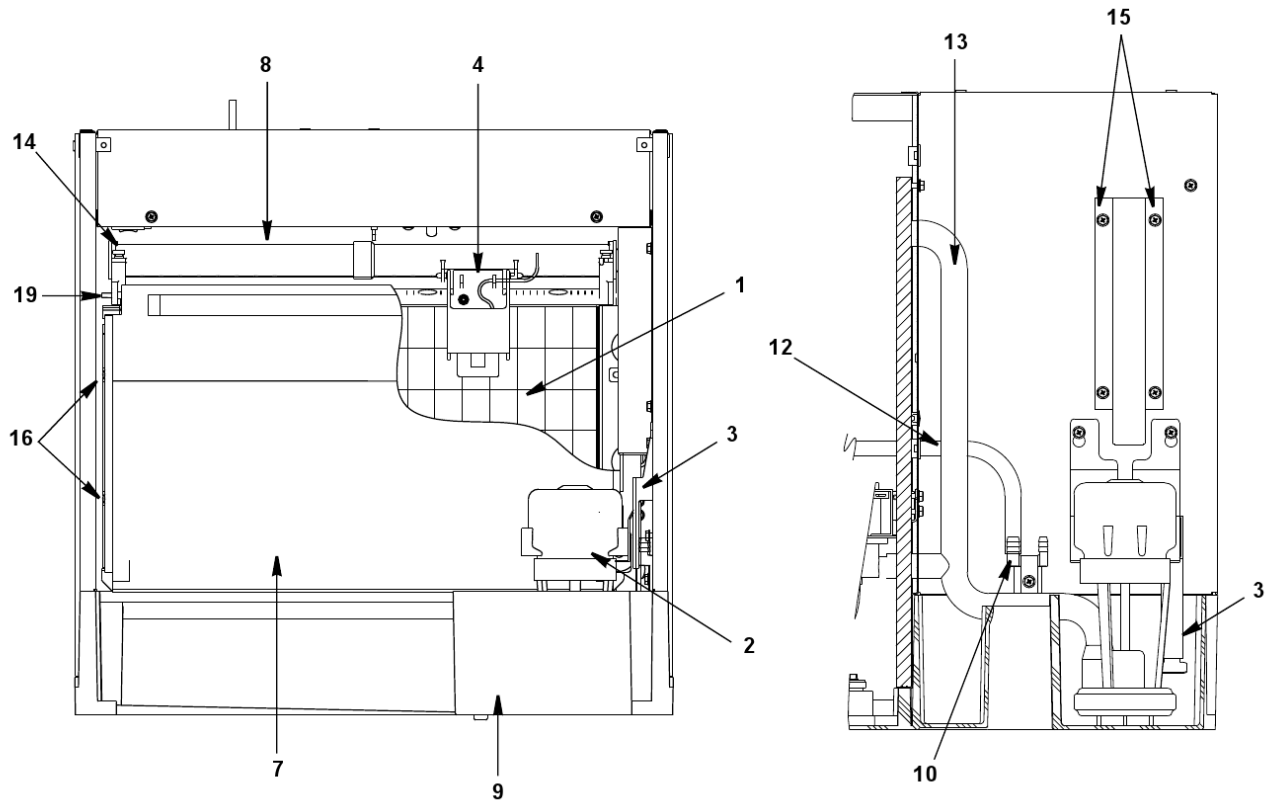


Q0320

Q0320 - EVAPORATOR COMPARTMENT - COMMON COMPONENTS



Q0320

Q0320 - EVAPORATOR COMPARTMENT - COMMON COMPONENTS

#	PART #	DESCRIPTION	QTY	Note
1		Evaporator Assembly		
1a	7625209	Evaporator - Regular Cube		
1b	7625199	Evaporator - Dice Cube		
1c	7625189	Evaporator - Half Dice Cube		
2		Water Pump		
2a	7623063	Water Pump - 115V/60 Hz		
2b	7626013	Water Pump - 230V/50-60 Hz		
3	2511293	Water Level Probe		
4	7627813	Ice Thickness Control Probe		
5	2301483	Magnetic Bin Switch		
6	7620543	Water Flow Clamp - Use on Regular Cube Evap. Only		[1]
7		Water Curtain - See Note for Serial Break		
7a	4004773	Water Curtain		[2]
7b	4008633	Water Curtain		[3]
8	7624983	Water Distribution Tube - B/J/Q		
9	4300629	Water Trough Plug		
10	4303883	Water Inlet Flow Tube		
11	7628023	Water Curtain Magnet and Cap		
12	4421233	Water Inlet Tubing 0.375" ID		
13	4009513	Water Pump Tubing		
14	5000013	Thumbscrew - #8-32 x 0.375"		
15	5202069	Screw - #10-24 x 0.50" HEX		
16	5202189	Screw - #10-24 x 0.75"		
17	7628063	Base and Water Trough Repair Kit		
18	7626213	Evaporator Top Molding and Gasket Assembly		
19	7627763	Water Curtain Pin Assembly		

PART NOTES:

- [1] - Use on Regular Cube Evap Only
- [2] - After Serial Number 020566886
- [3] - Before Serial Number 020566886