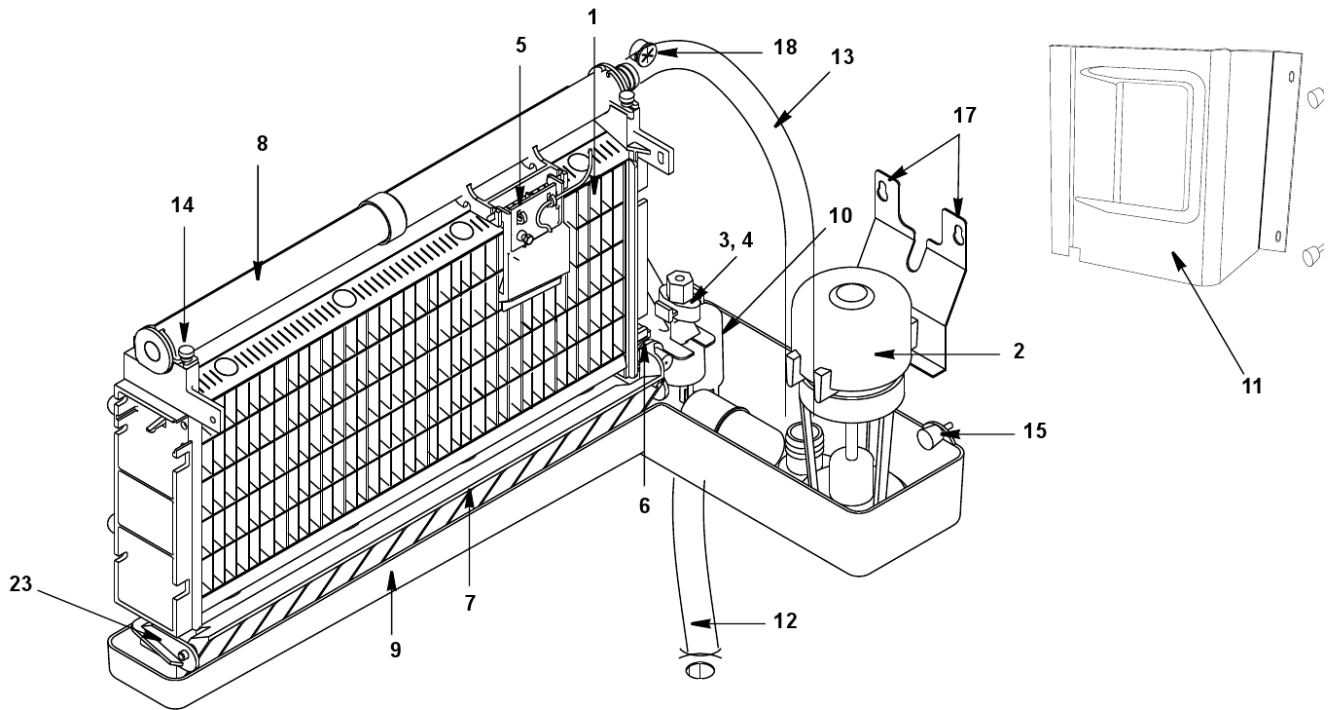


Q0210

Q0210 - EVAPORATOR COMPARTMENT - COMMON COMPONENTS



Q0210

Q0210 - EVAPORATOR COMPARTMENT - COMMON COMPONENTS

#	PART #	DESCRIPTION	QTY	Note
1		Evaporator Assembly		
1a	7629549	Evaporator - Regular Cube		
1b	7629559	Evaporator - Dice Cube		
1c	7629569	Evaporator - Half Dice Cube		
2		Water Pump		
2a	7623063	Water Pump - 115V/60 Hz		
2b	7626013	Water Pump - 230V/50-60 Hz		[1]
2c	040000945	Water Pump - 230V/50-60 Hz		[2]
3	7602133	Float Valve Assembly		[3]
4	8369049	Float Valve Assembly		[4]
4a	8369069	Float Valve Screen		
4b	8369089	Float Valve Plunger		
4c	5650729	Compression Nut		
4d	7621403	Bracket		
5	7601603	Ice Thickness Control Probe		
6	000007337	Magnetic Bin Switch		
7	7600483	Ice Damper		
7a	7629093	Ice Damper Magnet and Cap		
8	040002531	Water Distribution Tube - Q170/Q210/Q270		
9	040001251	Water Trough		
10	4302223	Siphon Cap		
11	000006754	Water Pump Cover		
11a	040001217	Thumbscrew - #8-32 x 0.625"		
12	7600853	Drain Tube		
13	040001234	Water Pump Tubing		
14	5305113	Screw, #8-32 x 0.63 Nylon Water Distribution Tube Mounting		
15	040001217	Thumbscrew - #8-32 x 0.625"		
16	5202189	Screw - #10-24 x 0.75"		
17	5202069	Screw - #10-24 x 0.50" HEX		
18	2500169	Bushing - 0.91" OD x 0.44" ID		[5]
19	2078063	Water Pump Lead - 208-230V/50-60 Hz		
20	040001255	Tube White Vinyl Molded		
21	040001514	Water Pump Mounting Plate		
22	040001239	Siphon Drain Tube		
23	040001766	Evaporator Frame Assembly		
24	040001237	Probe Assembly		
24a	040001260	Sensor Probe Cover		
24b	040001250	Sensor Probe Board		
24c	3005723	Adjustment Screw		
24d	2006983	Wire Lead		

PART NOTES:

[1] - Up to Serial Number 310145261