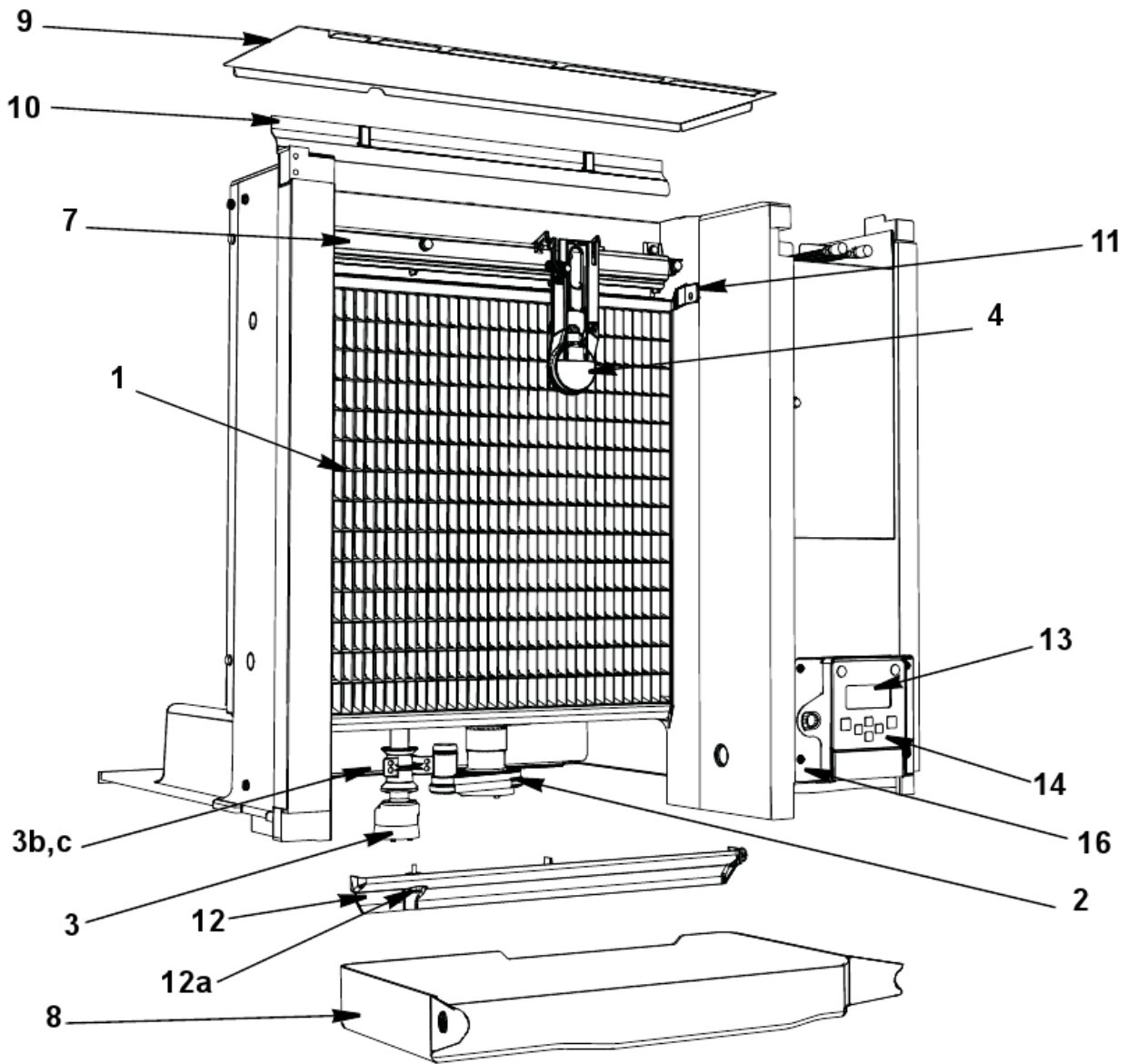


# i1000M Indigo

## I1000M EVAPORATOR COMPARTMENT - COMMON COMPONENTS



# i1000M Indigo

## I1000M EVAPORATOR COMPARTMENT - COMMON COMPONENTS

#	PART #	DESCRIPTION	QTY	Note
1		Evaporator Assembly		
1a	7602283	Evaporator - Dice Cube		
1b	7602273	Evaporator - Half Dice Cube		
2		Water Pump - See Note for Specific Voltage		
2a	8251139	Water Pump - 230V/50-60 Hz		[1]
2b	8252709	Water Pump - 230V/50-60 Hz		[2]
3	000007052	Water Level Probe		
3a	000007724	Wire - Control Box to Water Level Probe		
3b	000007053	Water Level Probe - Holder		
3c	5202099	Screw - #10-24 x 0.50" PHIL		[3]
4	000008660	Ice Thickness Control Probe		
5	6065651	Water Curtain		
6	6070561	Water Curtain Bracket		
7	7602193	Water Distribution Tube - 30" Models		
7a	5004649	O-Rings		[4]
8	4003609	Water Trough		[5]
9	000009055	Foodzone Seal Panel		
10	4008469	Evaporator Top Filler Panel		
10a	6063339	Bracket - Top Filler Panel		
10b	5202099	Screw - #10-24 x 0.50" PHIL		
11	7602203	Evaporator Top Frame Assembly		
12	7602213	Water Diverter - 30" Models		
12a	5305123	Thumbscrew SS - #8-32 x 0.44"		
13	000006728	LCD Display		
14	000007926	Touch Pad with Housing		
15	000007737	LCD Wiring Harness - 30" Long		
16	000007972	Touch Pad/Housing Mounting Bracket		
17	000006700	Ice Deflector		
18	5004799	Thumbscrew SS - #8-32 x 0.375"		[6]
18a	5004629	O-Ring - 0.125" ID		
19	5004619	Screw - #12-16 x 0.687"		
20	5004659	Water Pump Base O-Ring - 4.00" ID		
21	5004679	Water Pump Outlet O-Ring - 0.875" ID		

### PART NOTES:

- [1] - 60 Hz
- [2] - 50 Hz
- [3] - Mount Water Level Probe Holder
- [4] - Back of Distribution Assembly
- [5] - \water trough.jpg" width=313 height=169>
- [6] - Water Distribution Tube Mounting Each