

MAAX SUBMITTAL SPECIFICATIONS

ACSH/RS/LS/NS-48

MODEL NUMBER 141051

DIMENSIONS: 48" x 33" x 75" Acrylic



STANDARD FEATURES

- 1 or 3-piece acrylic shower
- Optional acrylic handle
- Built-in corner shelves with optional shelf rails
- Right/left-hand seat or no seat (comes with footrest(s) when no seat ordered)
- Center drain
- Textured floor
- Optional unique feature: Above-the-Floor Rough

OPTIONS

- Chrome Shelf Rails
- Brushed Nickel Shelf Rails
- 12" Handle in White
- 12" Handle in Bone
- 12" Handle in Biscuit
- 12" Handle in Chrome

UNIQUE FEATURES

- Above-the-Floor Rough (AFR)

SYSTEMS

- None

DOOR SELECTION

Combine with AKER's complete shower door offering visit www.akerbymax.com

CERTIFICATIONS

Maax products adhere to one or more of the following certifications:



Project :

Contractor :

MAAX Representative : Tel :

Date :

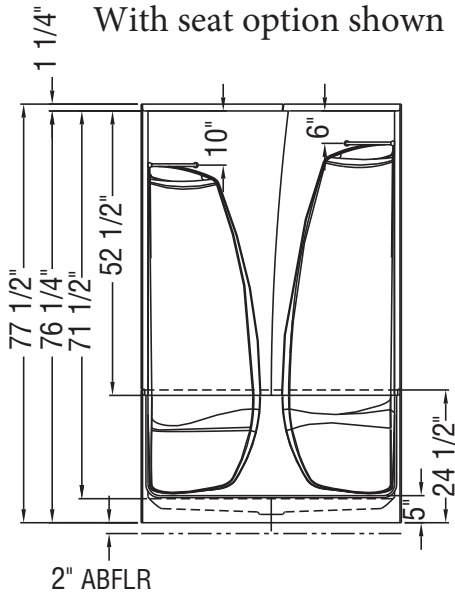
MAAX SUBMITTAL SPECIFICATIONS

ACSH/RS/LS/NS-48

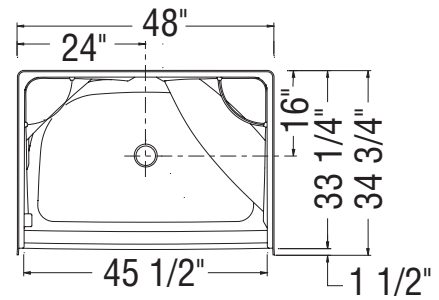
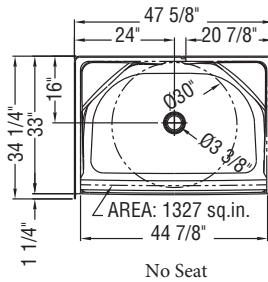
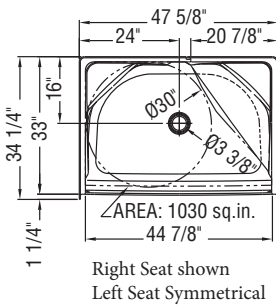
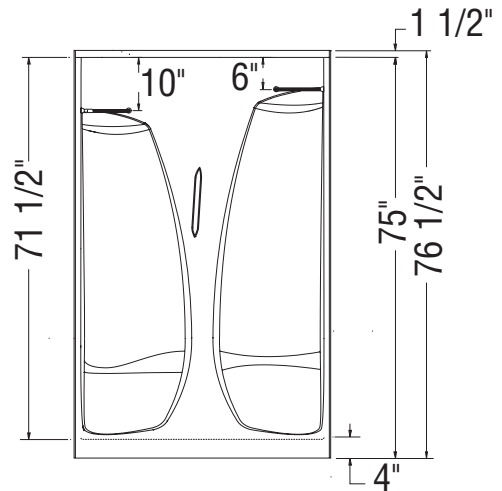
MODEL NUMBER 141051

TECHNICAL DRAWINGS

ACSH-3P-48 (141051-S)
 With seat option shown



ACSH/RS/LS/NS-48 (141051)
 RS version shown



All dimensions are approximate. Structure measurements must be verified against the unit to ensure proper fit.