

# MAAX SUBMITTAL SPECIFICATIONS

## ACTS-3360

**MODEL NUMBER 141014**

DIMENSIONS: 60" x 33 1/4" x 75" Acrylic



### STANDARD FEATURES

- One-piece acrylic tub-shower
- Right or left-hand drain
- Built-in corner shelves with optional shelf rails
- Optional handle
- Optional unique feature: Above-the-Floor Rough
- Textured floor
- Comes with an access panel when equipped with a whirlpool system
- 14 1/2" deep sump
- Bottom bathing well: 49" L x 22 1/4" W

### OPTIONS

- Removable access panel for non-jetted model
- In-line heater (factory-installed)
- Pump position opposite standard position
- Ozonator for whirlpool system
- Trim Kit for Bodywrap Whirlpool System
- Chrome Shelf Rails

### UNIQUE FEATURES

- Above-the-Floor Rough (AFR)

### SYSTEMS



Bodywrap

### DOOR SELECTION

Combine with AKER's complete shower door offering visit [www.akerbymaax.com](http://www.akerbymaax.com)

### CERTIFICATIONS

Maax products adhere to one or more of the following certifications:



Project : .....

Contractor : .....

MAAX Representative : ..... Tel : .....

Date : .....

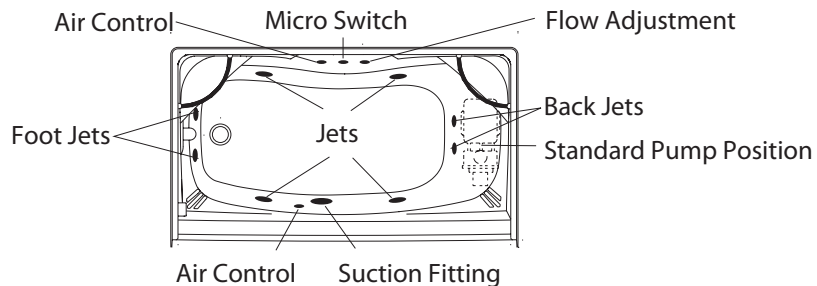
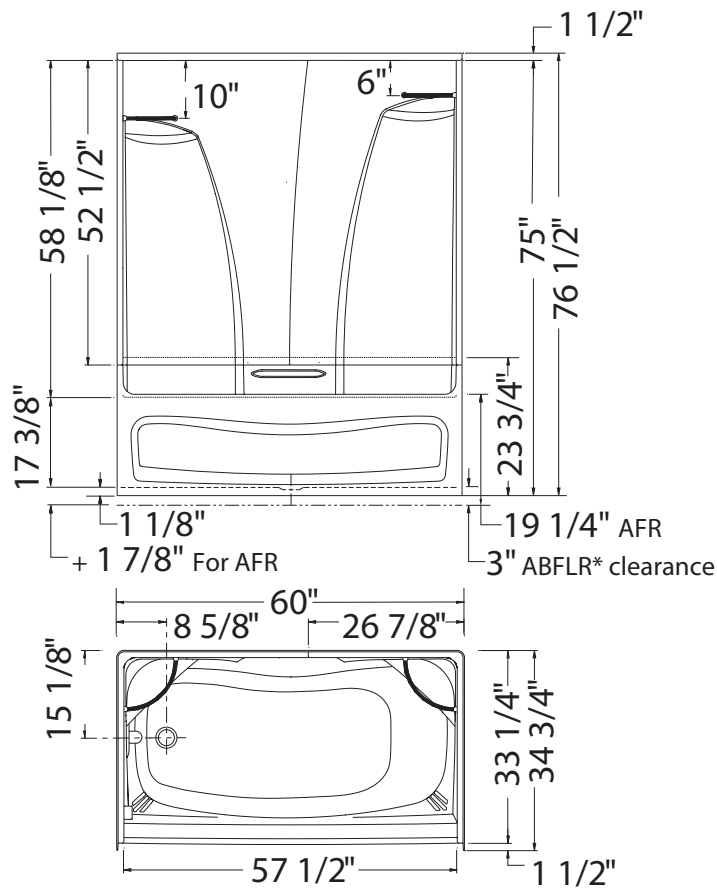
# MAAX SUBMITTAL SPECIFICATIONS

## ACTS-3360

MODEL NUMBER 141014

### TECHNICAL DRAWINGS

The below technical drawing is valid for the following Tub Showers :  
 ACTS-3P-3360 (illustrated) (141014-S)  
 ACTS-3360 (141014)



All dimensions are approximate. Structure measurements must be verified against the unit to ensure proper fit.