

MAAX SUBMITTAL SPECIFICATIONS

Rubix 6030

MODEL NUMBER 105815

DIMENSIONS: 60" x 30" x 18" Acrylic



Project :
Contractor :
MAAX Representative : Tel :
Date :

www.maax.com

Vivez l'expérience
MAAX[®]
Enjoy the experience

STANDARD FEATURES

- Rectangular shape bathtub in alcove installation
- Available in Above-the-Floor Rough (AFR) or not
- Right or left-hand drain
- Cubic design
- Integrated flat skirt and tiling flange

OPTIONS

- Cable-operated waste and overflow
- Foam pillow with 2 suction pads
- Waste and overflow

UNIQUE FEATURES

- Tiling Flange

SYSTEMS

- None

DOOR SELECTION

Combine with MAAX's complete shower door offering visit www.maax.com

CERTIFICATIONS

Maax products adhere to one or more of the following certifications:



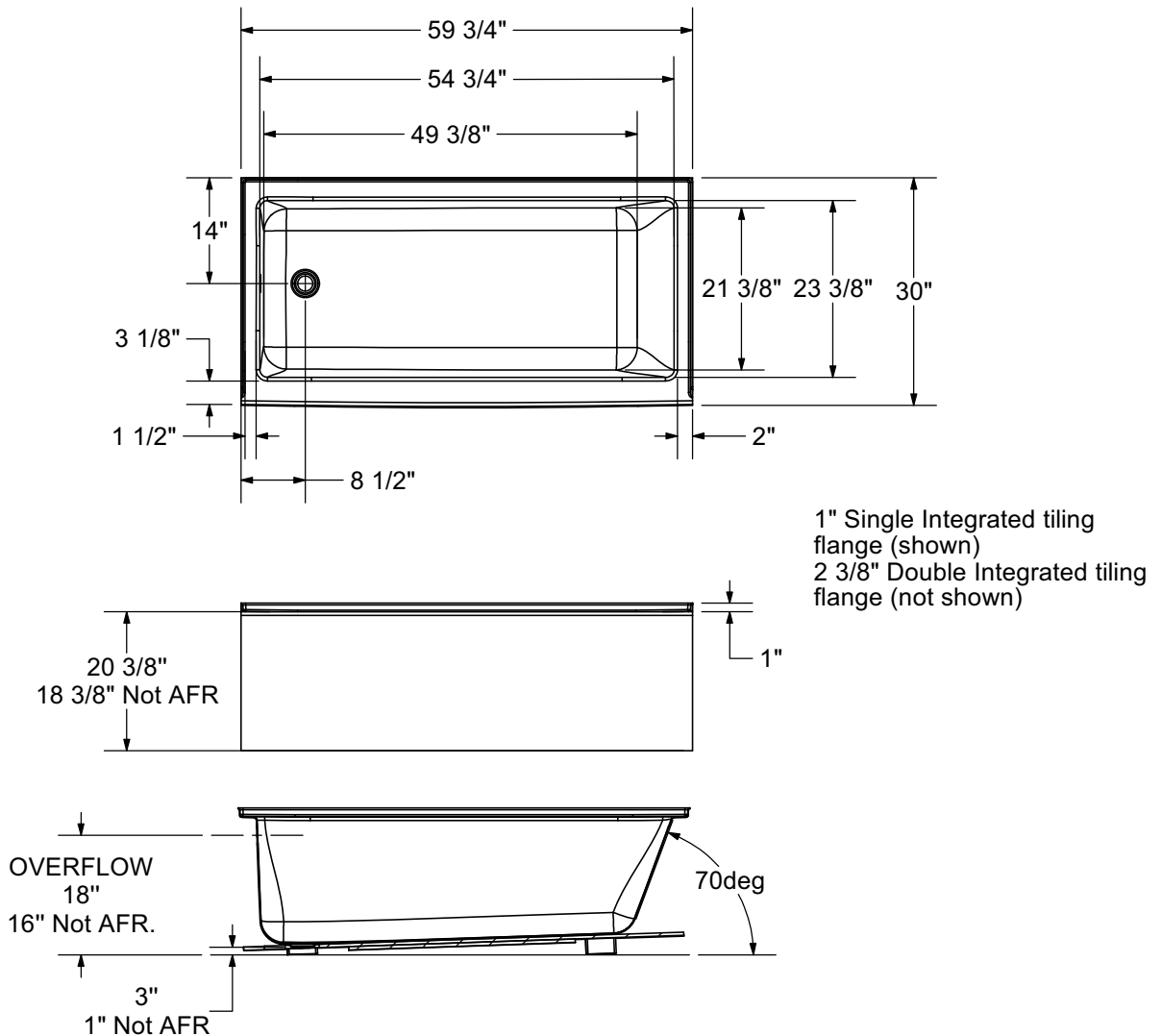
2017-09-23

MAAX SUBMITTAL SPECIFICATIONS

Rubix 6030

MODEL NUMBER 105815

TECHNICAL DRAWINGS



Wood support design may vary.
 Single Integrated tiling flange: 1" height x 1/4" thickness (shown)
 Double Integrated tiling flange: 2 3/8" height (not shown)
 All dimensions are approximate. Structure measurements must be verified against the unit to ensure proper fit.