

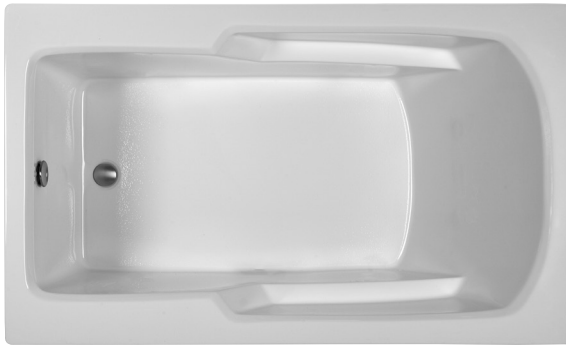
MTI BASICS® TUBS

MBRR6036E20

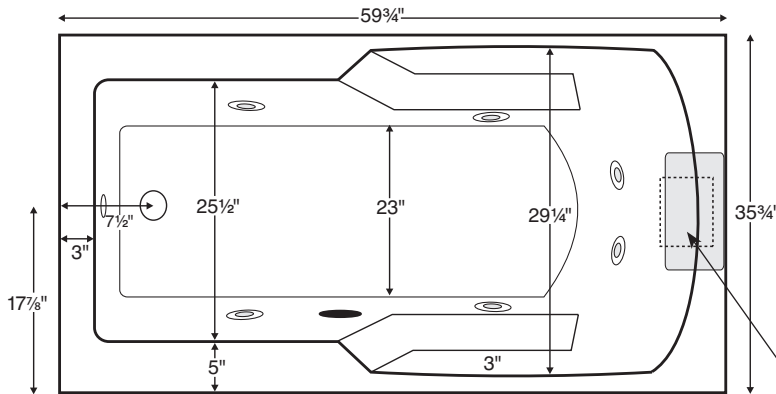
59.75" x 35.75" x 19.75"

Installation: Drop-in

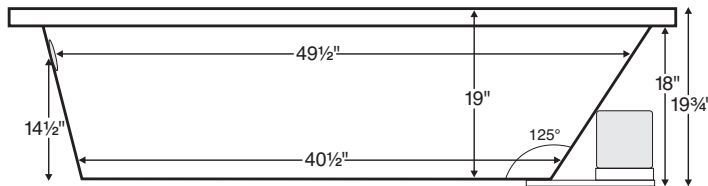
cannot be undermounted



Features integral armrests.



Shown with Whirlpool Package.



GENERAL SPECIFICATIONS:

- Material** Acrylic
- Plumbed Weight** 140 lbs / 64 kg
- Soaker Weight** 115 lbs / 52 kg
- Average Fill** 46 gal to above jet level
- Maximum Fill** 69 gal to overflow

NOTE: Filling this tub to the maximum may require an above average size or dedicated water heater.

ELECTRICAL SPECIFICATIONS:

- Required Electrical Service** 110 Volt
- Air Bath or Whirlpool** 1-15 amp GFCI
- Whirlpool with Inline Heater** 1-15 amp GFCI
- Soaker with Inline Heater** 1-15 amp GFCI
- Air Bath with Inline Heater** 2-15 amp GFCI

CSA Certified C/US; ANSI Z124.1 for plastic tubs and ANSI 112.19.7 for whirlpool components.

Compliance Label
 Model MTXXXX
 Made in USA
 Complies with
 ANSI Z124.1-1995
 CSA Certified C/US

PACKAGES AND OPTIONS

Hydrotherapy Package	Package Contents	Part #
Soaker	soaking bath - no jets, textured bottom	MBSRR6036E20
Whirlpool	6 point-massage jets, 1-bhp pump, textured bottom	MBWRR6036E20
Air Bath	12 air jets, heated air blower, textured bottom, pre-leveled foam base (increases overall height 2-3")	MBARR6036E20

OPTIONS

- Standard Colors** - White
- Color Upgrade** - Biscuit (MTISCOLOR)
- Quick Ship** - reduces lead time - call for availability
- Inline Heater** - Whirlpool (HTRMTIS)
- Inline Heater with Pump** - Soaker or Air Bath (MBHTISOAK)
- Lift & Turn Drain Kit** -
 Chrome (MBWOC); Brushed Nickel (MBWOBN), White (MBWOW)

Tile Flange -

Factory-Installed - 1 side (MBTFK1); 2 sides (MBTFK2); 3 sides (MBTFK3); Integral 3 sides (MBITF)

Pre-Leveled Foam Base (MBPLFOAM) standard with Air Bath

Pre-Leveled Frame & Foam Base (MBPLF)

Pre-Leveled Frame & Foam Base with Skirting -

Acrylic Raised Panel-Look with Fixed Panels (MBFSKAO5)
 Acrylic Raised Panel-Look with Removable Panels (MBFSKAR5)

IMPORTANT INFORMATION

- Before ordering or installing, please consider future access to equipment.
- Add bedding compound to fully level and support bottom of tub.
- Tubs equipped with an air bath or a pre-leveled foam base are designed to rest on the floor *without* bedding compound, provided the floor is level.
- Overall tub height is increased by approx. 2-3" when tub is equipped with any air bath package or when pre-leveled foam base or framing system is ordered.
- Please measure tub **on-site** before building tub decking.
- Jet, pump & blower locations are predetermined and cannot be changed.
- Suction and control locations may vary.
- Options listed cannot be combined with Designer Collection options.
- Specifications and configurations are subject to change without notice.
- Measurements are $\pm 1/2"$ and are subject to change without notice.
- Measurements herein supersede all others published prior to publication date shown below.

