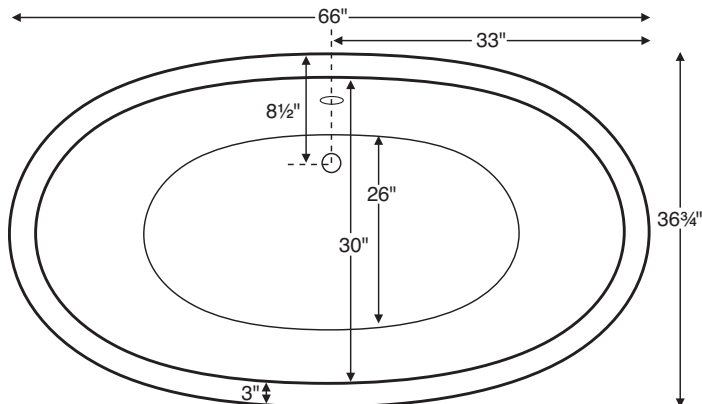


MTI BASICS® TUBS

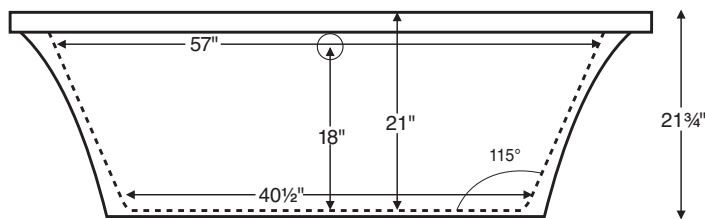
MBOFS6636

66" x 36.75" x 21.75"

Installation: Freestanding



Requires use of a wall-mounted or freestanding tub filler. The drain and overflow assembly is concealed between the walls of the tub, eliminating the need for an exposed drain kit.



Footprint of tub measures 52" (l) x 33 (w).

GENERAL SPECIFICATIONS:

Material Acrylic
Soaker Weight 130 lbs / 58.97 kg
Maximum Fill 86 gal to overflow

NOTE: Filling this tub to the maximum may require an above average size or dedicated water heater.



inside view of tub



Virtual Spout integrated high-flow tub filler. See 'packages and options' below.

PACKAGES AND OPTIONS

Hydrotherapy Package	Package Contents	Part #
Soaker	soaking bath - no jets; textured bottom, pre-leveled foam base	MBSOFS6636
Soaker with Virtual Spout	soaking bath - no jets; includes Virtual Spout integrated high-flow tub filler (see important information below), textured bottom, pre-leveled foam base	MBSOFS6636VS

OPTIONS

Standard Color - White

Color Upgrade - Biscuit (MBFSCOL)

Quick Ship - reduces lead time - call for availability

Lift & Turn Drain Kit -

Chrome (MBWOC); Brushed Nickel (MBWOBN), White (MBWOW)

NOTE: Tub includes an access panel (standard) for drain or Virtual Spout installation, and protrudes 1/2" from the drain side of the tub. Depending on how the tub is positioned, the panel may be visible. Access panel can be eliminated by request, which will increase installation difficulty. **Must specify on order.**



IMPORTANT INFORMATION

- Options listed cannot be combined with Designer Collection options.
- Specifications and configurations are subject to change without notice.
- Measurements are ±1/2" and are subject to change without notice.
- Measurements herein supersede all others published prior to publication date shown below.
- The **Virtual Spout** is installed below the water level of the tub. MTI supplies a Wilkins dual check valve and an Acme in-wall atmospheric vent to prevent backflow into the potable water supply. However, some areas of the country require additional backflow prevention when water is introduced to the bath below the water level (check local codes).

