

SUBMITTAL SHEET

JOB NAME	ITEM TAG
JOB LOCATION	PART NUMBER
CONTRACTOR	DATE
ENGINEER APPROVAL	DATE

HOSE BIBB VACUUM BREAKER
T-553 / T-553C



- Female x male garden hose thread connections
- Durable forged brass construction
- Automatic vacuum interruption prevents backsiphonage
- Breakaway set screw for tamper-resistant installation
- Available in plain or chrome plated finishes
- Not for continuous pressure installations

- Certified to ASSE Standard 1011
- Certified to CSA Standard B64.2
- UPC / IAPMO approved



Working Pressure, Non-Shock (PSI)

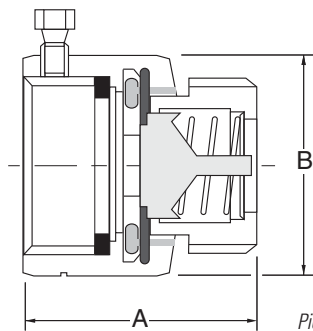
- CWP: Max 125
- Saturated Steam: Not suitable for steam service
- Maximum service temperature: 180 deg. F

MATERIAL SPECIFICATION

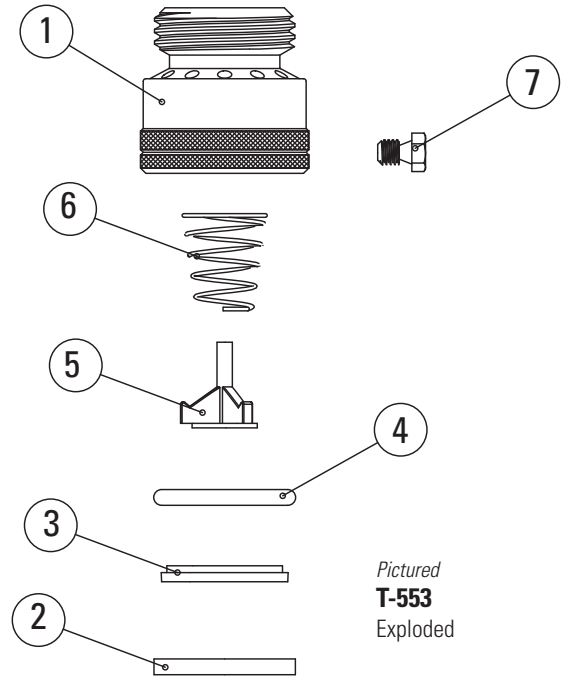
PART	MATERIAL	SPECIFICATION
1 Body	Forged brass	JIS 3605 Alloy
2 Washer	Neoprene	Commercial grade 55
3 Piston seal retainer	Acetal resin	FM090 Acetal copolymer (POM)
4 Piston seal	NBR (Nitrile) rubber	Commercial grade
5 Piston	Acetal resin	FM090 Acetal copolymer (POM)
6 Piston Spring	Stainless steel	AISI 304
7 Setscrew	Chrome plated mild carbon steel	AISI 12L14 (ASTM A108)

DIMENSIONS

Size	A	B
3/4"	1.25	1.26



Pictured T-553



Pictured T-553 Exploded