

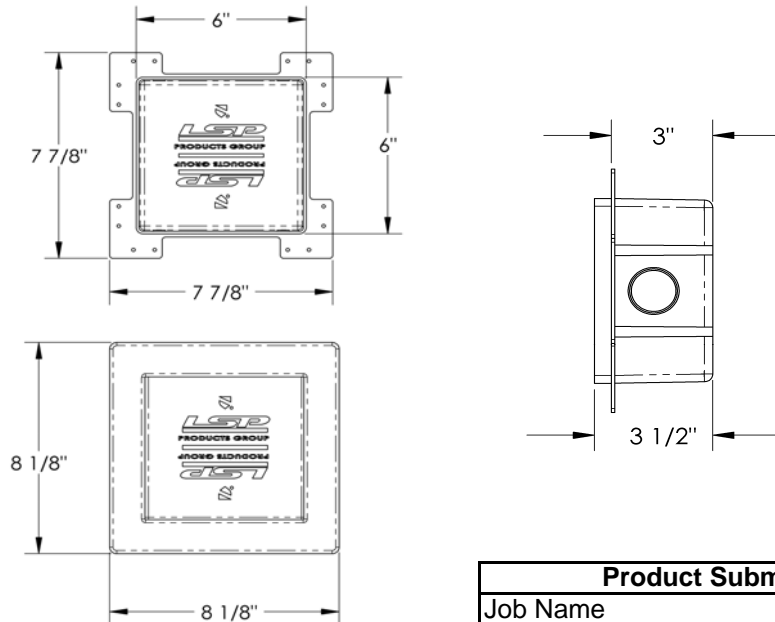
Design Features

Applications:

- Main Supply Box with compact 1" butterfly-handle valve
- Angle Stop Box with 2 or 3 quarter turn valves
- Box constructed of high impact polystyrene
- Mounts on side of stud
- EZ-Turn Quarter Ball Valve(s) – durable brass resists cracking/corrosion and allows for fingertip control of water flow
- Valves have long lasting O-rings and Teflon seats

Compliances/Listings

- IAPMO
- Valves also meets or exceed:
ASME A112.18.1
NSF Standard 61
- Water Hammer Arrestor meets or exceeds:
ASSE 1010



3689 Arrowhead Drive, Carson City, NV 89706
 Phone (800) 854-3215 Fax (800) 243-1777
 E-mail sales@lspproducts.com Website www.lspproducts.com

Content matter is subject to change at any time. It is the user's responsibility to ensure the most updated revisions are obtained.

SP/S-2054 (12-07) Rev 1

Product Submittal	
Job Name	
Date	
Part Number	Quantity
Architect	
Contractor	

Part Number	Description	Mstr Ctn Qty
MAIN SUPPLY OUTLET BOX		
OB-1201	MAIN SUPPLY BOX, 1" FIP x 1" FIP BALL VALVE	10
ANGLE STOP & DISHWASHER COMBINATION OUTLET BOX		
MIP VALVES		
OB-1210	ANGLE STOP BOX, 1/2" MIP X 3/8" COMP VALVES	10
OB-1211	ANGLE STOP - DISHWASHER BOX, 1/2" MIP X 3/8" COMP	10
OB-1212	ANGLE STOP - H.A. DISHWASHER BOX, 1/2" MIP X 3/8" COMP	10
CPVC VALVES		
OB-1220	ANGLE STOP BOX, 1/2" CPVC X 3/8" COMP	10
OB-1221	ANGLE STOP - DISHWASHER BOX, 1/2" CPVC X 3/8" COMP	10
OB-1222	ANGLE STOP - H.A. DISHWASHER BOX, 1/2" CPVC X 3/8" COMP	10
PEX VALVES		
OB-1230	ANGLE STOP BOX, 1/2" PEX X 3/8" COMP	10
OB-1231	ANGLE STOP - DISHWASHER BOX, 1/2" PEX X 3/8" COMP	10
OB-1232	ANGLE STOP - H.A. DISHWASHER BOX, 1/2" PEX X 3/8" COMP	10
REHAU VALVES		
OB-1240	ANGLE STOP BOX, 1/2" REHAU X 3/8" COMP	10
OB-1241	ANGLE STOP - DISHWASHER BOX, 1/2" REHAU X 3/8" COMP	10
OB-1242	ANGLE STOP - H.A. DISHWASHER BOX, 1/2" REHAU X 3/8" COMP	10
WIRSBO ProPEX VALVES		
OB-1250	ANGLE STOP BOX, 1/2" WIRSBO X 3/8" COMP	10
OB-1251	ANGLE STOP - DISHWASHER BOX, 1/2" WIRSBO X 3/8" COMP	10
OB-1252	ANGLE STOP - H.A. DISHWASHER BOX, 1/2" WIRSBO X 3/8" COMP	10
*Add -T to the end of any part number for Tract Pack (face plates packaged separately)		
GAS OUTLET BOX		
OB-1260	GAS BOX, 1/2" VALVE	10
OB-1261	GAS BOX, 3/4" VALVE	10
OB-1262	GAS BOX, 1/2" VALVE FOR CSST	10
*Add -GP to the end of any gas outlet box part number for Gas Pack (face plates packaged separately)		
UTILITY OUTLET BOX		
OB-1200	UTILITY BOX, EMPTY	10



3689 Arrowhead Drive, Carson City, NV 89706

Phone (800) 854-3215 Fax (800) 243-1777

E-mail sales@lspproducts.com Website www.lspproducts.com

Content matter is subject to change at any time. It is the user's responsibility to ensure the most updated revisions are obtained.

SP/S-2054 (12-07) Rev 1