



Model: \_\_\_\_\_ Item #: \_\_\_\_\_ Date: \_\_\_\_\_  
 Project: \_\_\_\_\_ Qty: \_\_\_\_\_ Approved By: \_\_\_\_\_

# 12" Wide Space Saver Hand Sinks

## HAND SINKS

### Product Images

<p><b>HS-9L</b> 12" Wide Hand Sink</p> 	<p><b>HS-9-LS/RS</b> Side Splash on one side</p>  <p>HS-9-RS shown</p>	<p><b>HS-9-LF</b> Faucet Not Included</p> 
<p><b>HS-21</b> w/ Heavy Duty Faucet</p> 	<p><b>HS-30L</b> Side Splashes</p> 	<p><b>HS-35</b> Eyewash Station</p> 
<p><b>HS-31</b> Soap &amp; Towel Dispenser</p> 	<p><b>HS-32</b> Soap &amp; Towel Dispenser w/ Side Splashes</p> 	<p><b>HS-37</b> Soap &amp; Towel Dispenser w/ Stainless Steel Skirt</p> 

### Standard Features

<b>Fabrication</b>	20 gauge stainless steel
<b>Bowl</b>	9-3/4"W x 12-1/2"L x 6" Deep drawn bowl with stamped rim to prevent spillage
<b>Wall Mount Bracket</b>	Offset design for added strength
<b>Faucet</b>	4" center wall mount faucet included on most models
<b>Drain</b>	Stainless steel
<b>Drain with Overflow</b>	Stainless Steel with plastic overflow tube and inlet
<b>Plumbing</b>	1/2" IPS hot and cold water. 1-1/2" IPS drain outlet. Install at 36" working height. 1/2" faucet supply 12" from floor. 1-1/2" drain line 23-1/4" from floor.
<b>Lead Free</b>	Products are certified to NSF/ANSI 61 and 372 and conforms with the lead content requirements for lead free plumbing as defined by the U.S. Safe Drinking Water Act.

### Optional Accessories

<b>21-311L</b>	Wrist Blade Handle Kit
<b>H-100</b>	Chrome Plated 1-1/2" IPS P-Trap
<b>H-104</b>	Wall Mount Soap Dispenser
<b>H-105</b>	Wall Mount Towel Dispenser
<b>H-106L</b>	Left Side Splash
<b>H-106R</b>	Right Side Splash
<b>H-107</b>	Left and Right Side Splashes
<b>H-108</b>	Stainless Steel Skirt
<b>H-109</b>	Upgrade: Royal Series Faucet
<b>H-110</b>	Side Support Brackets
<b>H-111</b>	Soap & Tow



Certified to NSF/ANSI 61-G



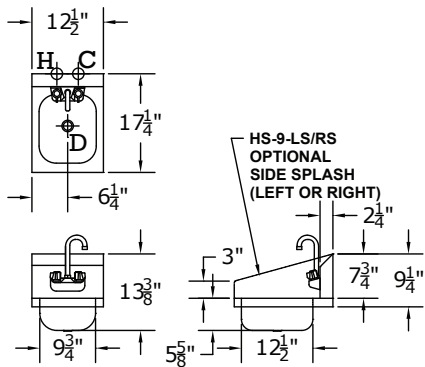
Model: \_\_\_\_\_ Item #: \_\_\_\_\_ Date: \_\_\_\_\_

Project: \_\_\_\_\_ Qty: \_\_\_\_\_ Approved By: \_\_\_\_\_

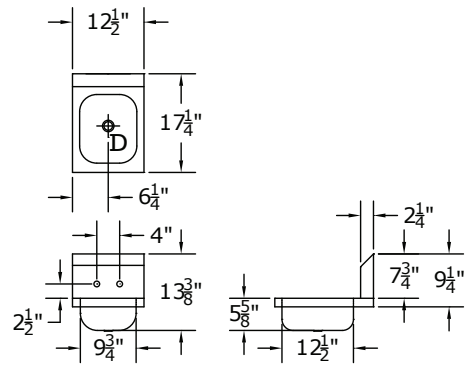
# 12" Wide Space Saver Hand Sinks

## HAND SINKS

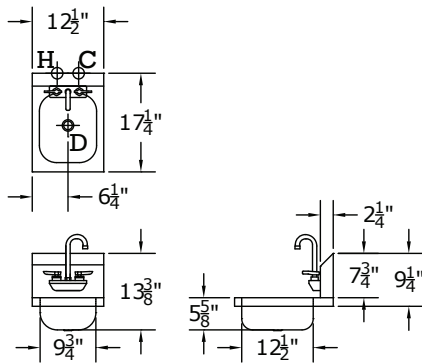
### HS-9L or HS-9-LS/RS



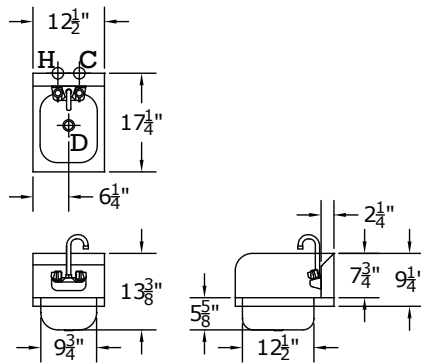
### HS-9-LF



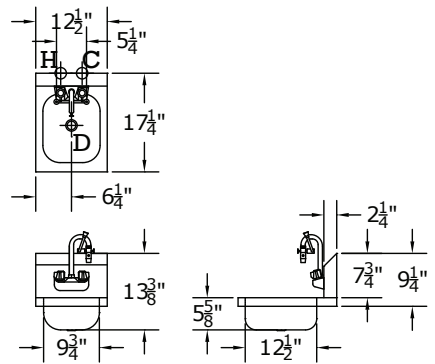
### HS-21



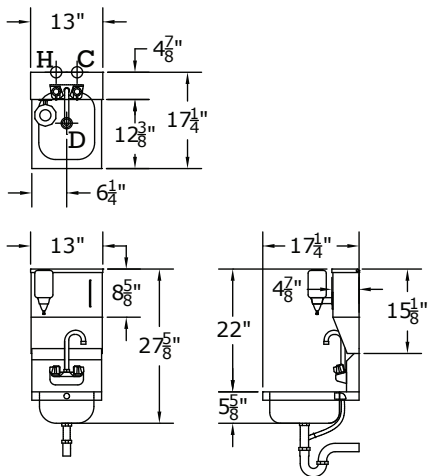
### HS-30L



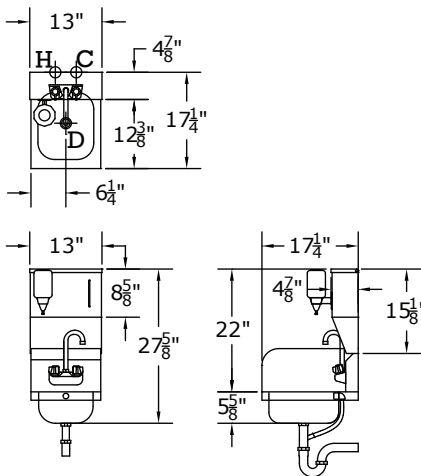
### HS-35



### HS-31



### HS-32



### HS-37

