



ROYAL SERIES PLUMBING ADD-ON FAUCETS

MODEL: _____ PROJECT: _____ ITEM #: _____ QTY: _____

PRODUCT IMAGE



21-139 SHOWN

**ALSO AVAILABLE IN LOW LEAD BY
ADDING "L" TO MODEL NUMBER**

STANDARD FEATURES

- Mounts on Pre-Rinse base with riser on top to allow Pre-Rinse to double as a faucet
- 1/4 turn high performance ceramic cartridge valve with built-in back flow preventer
- Heavy-Duty spout with double O-Ring construction and welded shoulder for durability
- High precision machining and polished nickel chromium finish
- Full replacement parts available
- 1 Year Warranty
- **Low Lead Compliance**
"L" Models meet California AB-1953 and Vermont S152 standards
(Faucet models already listed with the "L" suffix (i.e. 12-806L) are only available in Low Lead Compliant model)

SPECIFICATIONS

- Mounts on 3/8" NPT male inlet, 3/8" NPT female outlet
- Temperature Range: 40°F to 180°F
- Flow rate: 2 GPM max
- Shipping weight: 2 lbs.



CERTIFICATIONS:

APPROVED BY:

Due to our commitment to continued product improvement, specifications are subject to change without notice.

Printed in the USA

Krowne Metal Corporation

100 Haul Rd. Wayne, NJ 07470 • Toll Free: (800) 631-0442 • Fax: (973) 872-1129
sales@krowne.com • www.krowne.com • www.facebook.com/KrowneMetal • www.twitter.com/KrowneMetal

Rev. 09/2011
No. Add-on



ROYAL SERIES PLUMBING ADD-ON FAUCETS

MODEL: _____ PROJECT: _____ ITEM #: _____ QTY: _____

MODELS

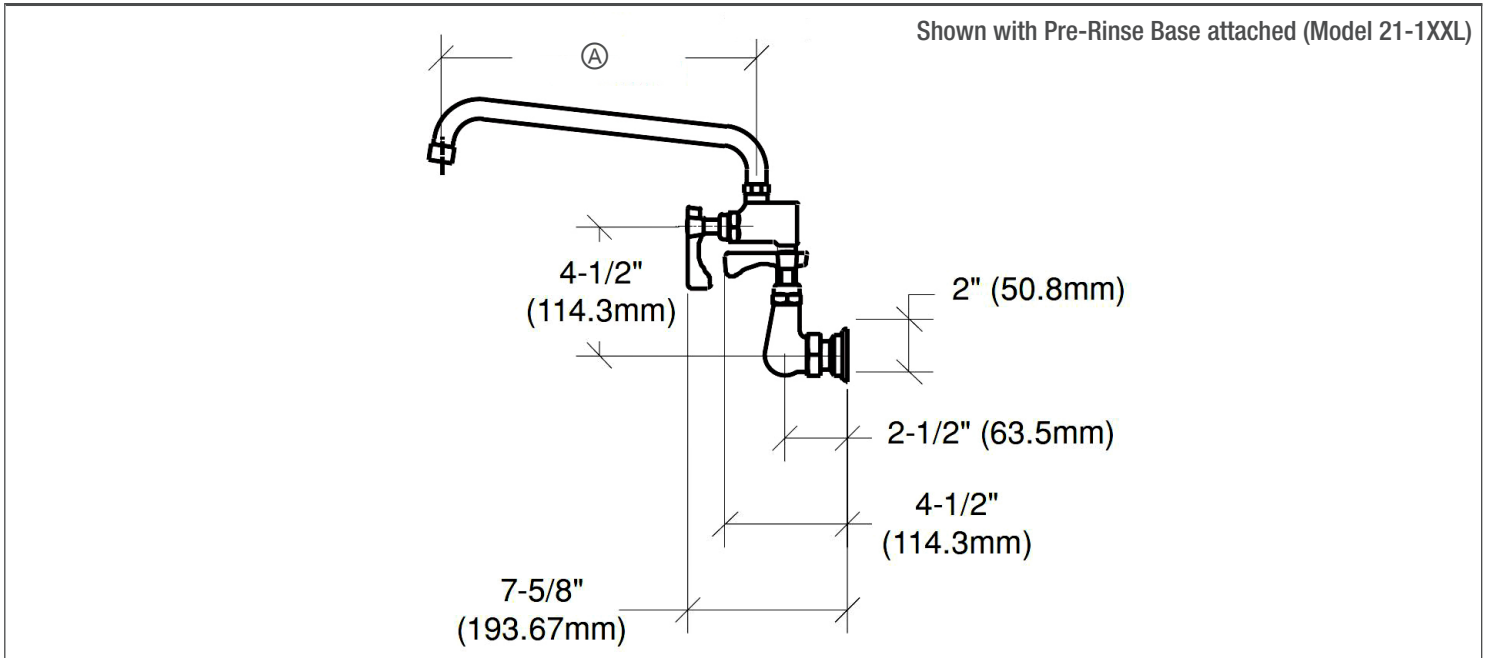
STANDARD SPOUTS

Model Numbers	Spout Size ^(A)
21-138L	6"
21-149L	8"
21-139	12"
21-140L	14"
21-141L	16"

NOTE: Add "L" to end of Model Number for Low Lead Model. Models already listed with the "L" are only available in Low Lead Compliant versions

(A) (B) (C) (D) (E) (F) (G) (H) (I)

DRAWING



APPROVED BY:

CERTIFICATIONS:

Due to our commitment to continued product improvement, specifications are subject to change without notice.

Printed in the USA

Krowne Metal Corporation

100 Haul Rd. Wayne, NJ 07470 • Toll Free: (800) 631-0442 • Fax: (973) 872-1129

sales@krowne.com • www.krowne.com • www.facebook.com/KrowneMetal • www.twitter.com/KrowneMetal

Rev. 09/2011
No. Add-on