



STANDARD SERIES PLUMBING

8" CENTER DECK MOUNT FAUCETS

MODEL: _____ PROJECT: _____ ITEM #: _____ QTY: _____

PRODUCT IMAGE



13-812L SHOWN

**13-8XXL SERIES ONLY AVAILABLE IN
LOW LEAD COMPLIANT MODELS**

STANDARD FEATURES

- Heavy-Duty spout with double O-Ring construction and welded shoulder for durability
- High precision machining and polished nickel chromium finish
- Color-coded handles
- Optional wrist blade handles available
- Full replacement parts available
- Mounting kit included
- **Low Lead Compliance**
All models meet California AB-1953 and Vermont S152 standards

SPECIFICATIONS

- 8" on center deck mount with 1/2" NPT male inlets
- Rough in: Two 7/8" round holes on 8" centers
- Flow rate: 2 GPM max
- Shipping weight: 3 lbs.
- Quantity per case: 12



Certified to
NSF/ANSI 61-G

APPROVED BY:

CERTIFICATIONS:

Due to our commitment to continued product improvement, specifications are subject to change without notice.

Printed in the USA

Krowne Metal Corporation

100 Haul Rd. Wayne, NJ 07470 • Toll Free: (800) 631-0442 • Fax: (973) 872-1129
sales@krowne.com • www.krowne.com • www.facebook.com/KrowneMetal • www.twitter.com/KrowneMetal

Rev. 05/2012
No. 13-8XXL



STANDARD SERIES PLUMBING

8" CENTER DECK MOUNT FAUCETS

MODEL: _____ PROJECT: _____ ITEM #: _____ QTY: _____

MODELS

STANDARD SPOUTS

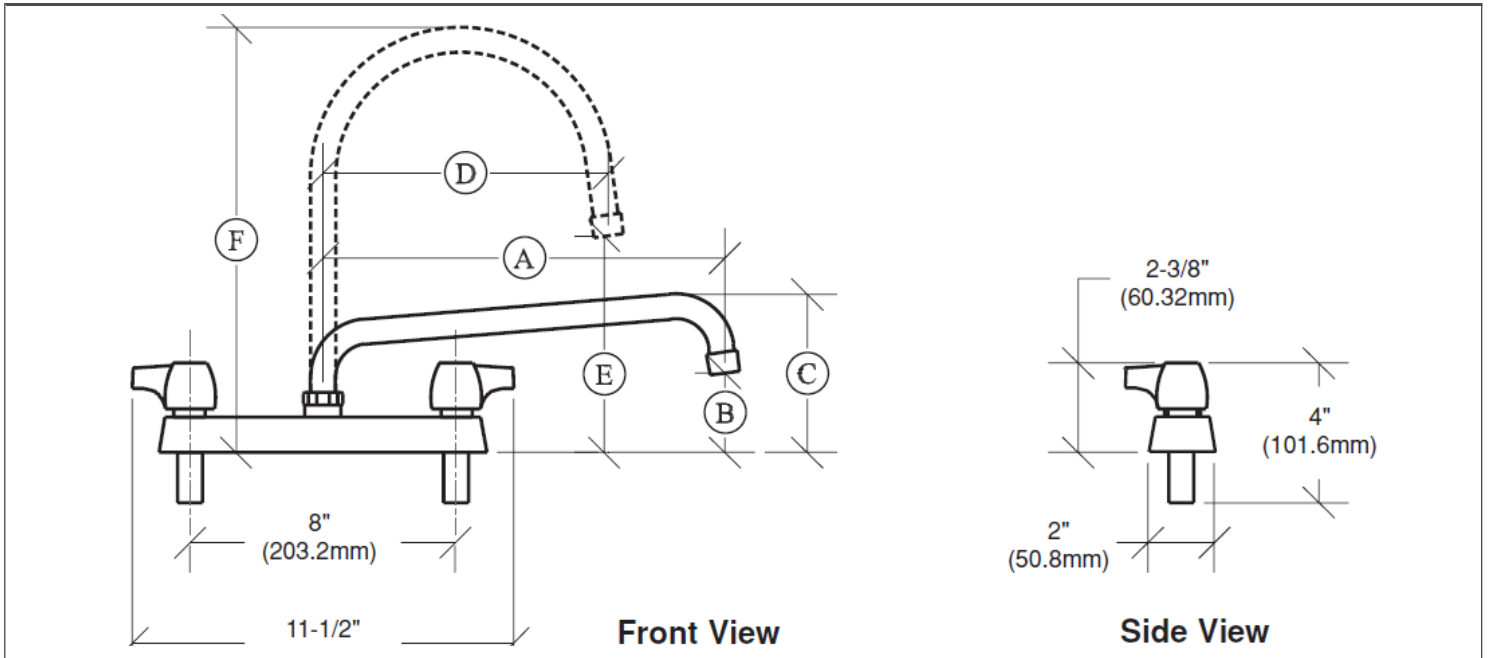
Model Numbers	Ⓐ	Ⓑ	Ⓒ
13-806L	6"	1 7/8"	4 3/8"
13-808L	8"	1 7/8"	4 3/8"
13-810L	10"	2 1/8"	4 5/8"
13-812L	12"	2 5/8"	5 1/8"
13-814L	14"	3"	5 1/2"
13-816L	16"	4"	6 1/2"
13-818L*	18"	5"	7 1/2"
13-824L*	24"	5"	7 1/2"

*Double Jointed Spouts

GOOSENECK SPOUTS

Model Numbers	Ⓓ	Ⓔ	Ⓕ
13-801L	6"	5 3/8"	9 3/8"
13-802L	8 1/2"	7"	12 3/8"

DRAWING



APPROVED BY:

CERTIFICATIONS:

Due to our commitment to continued product improvement, specifications are subject to change without notice.

Printed in the USA

Krowne Metal Corporation

100 Haul Rd. Wayne, NJ 07470 • Toll Free: (800) 631-0442 • Fax: (973) 872-1129

sales@krowne.com • www.krowne.com • www.facebook.com/KrowneMetal • www.twitter.com/KrowneMetal

Rev. 05/2012
No. 13-8XXL