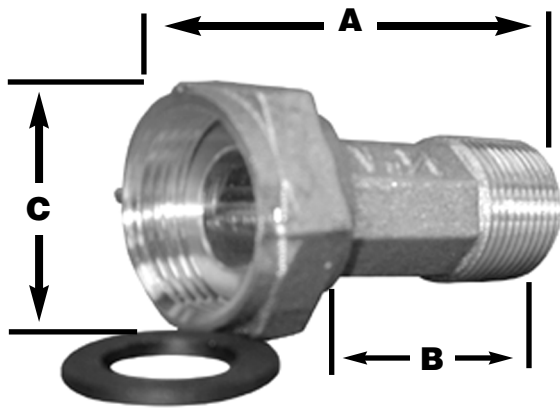


# SPECIFICATION SUBMITTAL SHEET

j o n e s   s t e p h e n s   c o r p o r a t i o n

## WATER METER COUPLING COMPLETE



### features and benefits:

- Heavy cast brass
- Complete with gasket

This product and others like it can be found in the Jones Stephens catalog. Call today to order your catalog or download it from our website: [www.plumbest.com](http://www.plumbest.com)

PART NO.	SIZE	NPSM	LENGTH	NPT	A	B	C
<input type="checkbox"/> M20-058	1/2"	3/4"	2 3/8"	1/2"	2 5/8"	2"	1 5/16"
<input type="checkbox"/> M20-075	3/4"	1"	2 1/2"	3/4"	2 7/8"	2 1/8"	1 5/8"
<input type="checkbox"/> M20-100	1"	1 1/4"	2 5/8"	1"	3 1/8"	2 1/4"	2 1/2"

jones stephens corporation  
3249 moody parkway • moody, alabama 35004  
toll free phone: 1-800-355-6637 • toll free fax: 1-800-462-6991  
[www.plumbest.com](http://www.plumbest.com)