

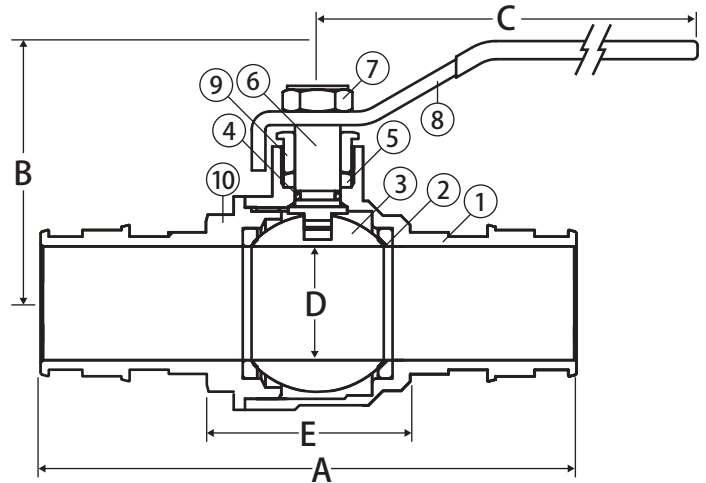
Lead Free Brass Ball Valve



2 Piece • Standard Port • Expansion Pex Connection • 400 WOG
• Stainless Steel Ball and Stem



T-422G



Features

- Gland follower and single o-ring stem design
- Blow-out proof stem
- 100% leak tested
- Wetted surfaces contain less than .25% lead content

Approvals



- ASTM F1960
- IAPMO Certified
 - NSF 61-8
 - NSF 372
 - Uniform Plumbing Code (cUPC)
 - IAPMO/ANSI Z1157-2014
 - NSF/ANSI 14-2014

Pressure Rating

- Body rated to 400 WOG
- Expansion connection rated to 150 WOG up to 200°F

Material Specifications

No.	Part	Materials
1	Body	Lead Free Brass - C46400
2	Seat	PTFE
3	Ball	304 Stainless Steel
4	O-ring	Buna-N
5	Packing	PTFE
6	Stem	304 Stainless Steel
7	Handle Nut	Steel - Chrome Plated
8	Handle	Steel - Chrome Plated
9	Packing Nut	Brass - C37700
10	End Connection	Lead Free Brass - C46400

Dimensions

Part No.	Size	A	B	C	D	E
104-523PG	1/2"	2.58	1.69	3.35	0.39	1.61
104-524PG	3/4"	3.31	1.81	3.35	0.61	1.42
104-525PG	1"	3.98	2.09	4.29	0.81	1.61
104-526PG	1-1/4"	4.65	2.25	4.29	0.98	1.76
104-527PG	1-1/2"	5.52	2.45	5.63	1.10	2.10
104-528PG	2"	6.91	2.74	5.63	1.58	2.62
104-529G	2-1/2"	8.80	3.04	5.63	2.01	3.17
104-530G	3"	10.75	4.25	7.76	2.44	4.00