

Lead Free Brass Ball Valve



**2 Piece • Full Port • Threaded Connection • 600 WOG •
Stainless Steel Ball and Stem**



JF-100TG

CRN# OC16654.5

Features

- Gland follower and single o-ring stem design
- Blow-out proof stem
- Stainless steel ball and stem
- 100% leak tested
- Wetted surfaces contain less than .25% lead content

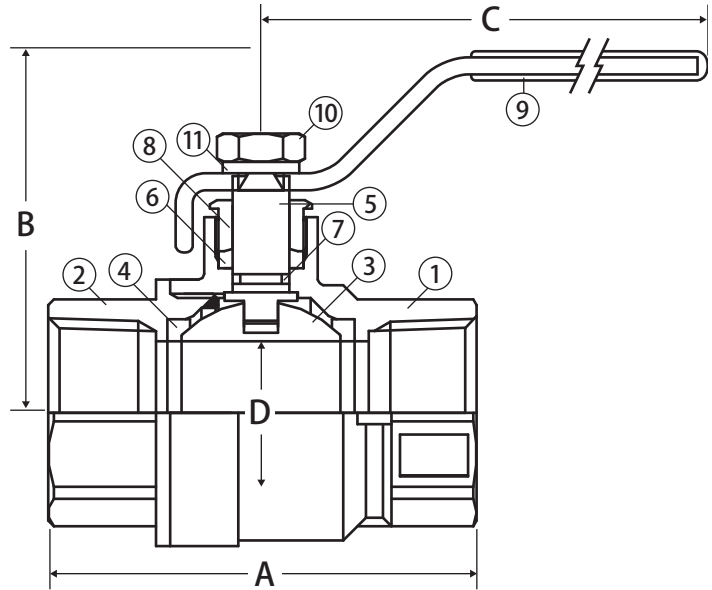
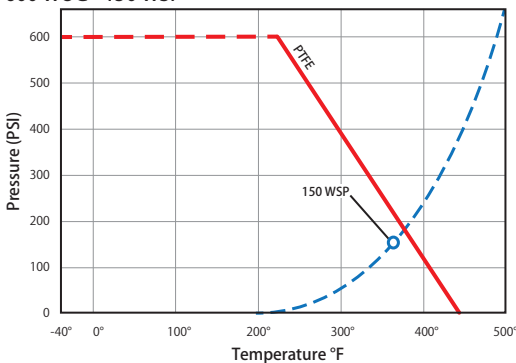
Approvals



- UL Listed up to 175 PSI (1/4" - 2")
 - MHKZ - Manual valves
 - YRPV - Gas shut-off valves
 - IAPMO Certified
 - NSF 61-8
 - NSF 372
 - Uniform Plumbing Code (cUPC)
 - IAPMO/ANSI Z1157-2014
 - NSF/ANSI 14-2014
 - CSA Certified
 - CGA 3.16 (125 PSIG) (1/4" - 2")
 - ANSI Z21.15 (.5 PSIG) (1/4" - 2")
 - CGA CR91 (5 PSIG) (1/4" - 2")
 - ASME B16.44 (5 PSIG) (1/4" - 2")
 - ASME B16.33 (125PSIG) (1/2" - 2")
 - FM Approval (1/4" - 2")
 - MSS SP-110
- ANSI B1.20.1

Valve Seat Rating

600 WOG - 150 WSP



Material Specifications

No.	Part	Materials
1	Body	Lead Free Brass - C46400
2	End Connection	Lead Free Brass - C46400
3	Ball	304 Stainless Steel
4	Seat (2)	PTFE
5	Stem	304 Stainless Steel
6	Packing	PTFE
7	Stem O-ring	Buna-N
8	Packing Gland	Lead Free Brass - C46400
9	Handle	Steel - Chrome Plated
10	Handle Nut	Steel - Chrome Plated
11	Lock Washer	Steel - Chrome Plated

Dimensions

Part No.	Size	A	B	C	D
100-101SSG	1/4"	1.73	1.69	3.35	0.39
100-102SSG	3/8"	1.73	1.69	3.35	0.39
100-103SSG	1/2"	2.28	1.81	3.35	0.59
100-104SSG	3/4"	2.51	2.36	4.29	0.75
100-105SSG	1"	2.97	2.52	4.29	0.98
100-106SSG	1-1/4"	3.45	2.52	5.63	1.26
100-107SSG	1-1/2"	3.87	2.72	5.63	1.57
100-108SSG	2"	4.29	3.03	5.63	1.97
100-109SSG	2-1/2"	5.59	4.25	7.76	2.52
100-110SSG	3"	6.34	4.92	8.37	2.95
100-111SSG	4"	7.83	5.85	9.25	3.90