

Submittal Sheet

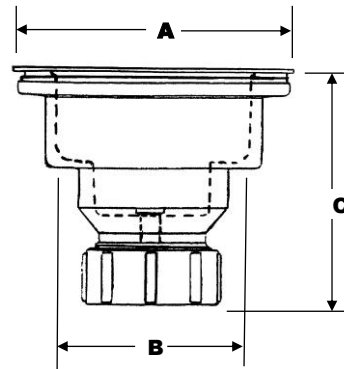
Job Name _____	Contractor _____
Location _____	Approval _____
Engineer _____	Date _____
Approval _____	Rep _____



Series **JBC101 - JBX105M & JBC112** JB Signature Strainers, Celcon in Gloss and Matte finishes

Features

- Two piece strainer molded from Celcon plastic
- Single mounting bolt for easy installation
- Push pull basket with positive rubber seal
- Extra heavy slip nut
- Manufactured in the United Kingdom.



Note: All numbers below are packaged in boxes. For clam shell substitute C for the X in the part number.

DIMENSIONS							
JB No.	Description	A	B	C	Weight oz.	Case Qty	✓ Submit
JBX101	Kitchen Strainer Polar White	4 1/2"	3 1/8"	3 3/8"	7.1	12	
JBX102	Kitchen Strainer Black	4 1/2"	3 1/8"	3 3/8"	7.1	12	
JBX103	Kitchen Strainer Biscuit	4 1/2"	3 1/8"	3 3/8"	7.1	12	
JBX104	Kitchen Strainer Almond	4 1/2"	3 1/8"	3 3/8"	7.1	12	
JBX105	Kitchen Strainer Euro White	4 1/2"	3 1/8"	3 3/8"	7.1	12	
JBX101M	Kitchen Strainer Matte Polar White	4 1/2"	3 1/8"	3 3/8"	7.1	12	
JBX102M	Kitchen Strainer Matte Black	4 1/2"	3 1/8"	3 3/8"	7.1	12	
JBX103M	Kitchen Strainer Matte Biscuit	4 1/2"	3 1/8"	3 3/8"	7.1	12	
JBX104M	Kitchen Strainer Matte Almond	4 1/2"	3 1/8"	3 3/8"	7.1	12	
JBX105M	Kitchen Strainer Matte Euro White	4 1/2"	3 1/8"	3 3/8"	7.1	12	
JBX112	Kitchen Strainer Oil Rubbed Bronze	4 1/2"	3 1/8"	3 3/8"	7.1	12	

JB Products specifications and dimensions are approximate and are provided for reference only. If precise measurements are required, please contact us with your specific request. JB Products reserves the right to change or modify product design, construction, specifications or material without prior notice and without incurring any obligation to make such changes and modifications on JB Products previously sold.