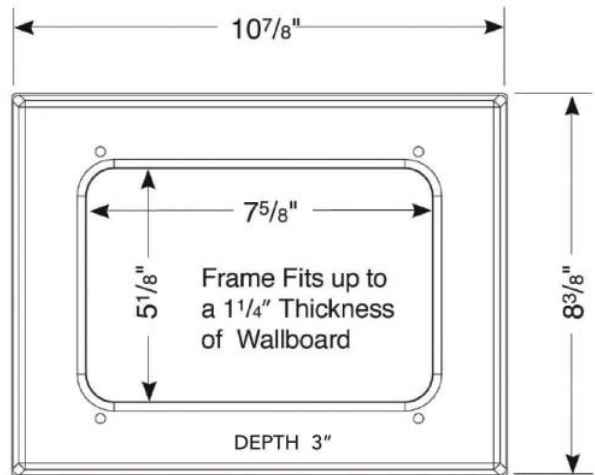
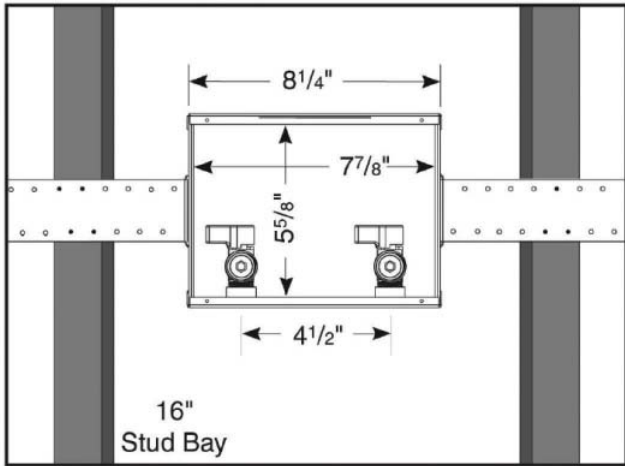


# SPECIFICATION SUBMITTAL SHEET



## STAINLESS STEEL WMOB with Quarter Turn Valves



**Specifications:**

Furnish and install stainless steel washing machine outlet box. Unit shall be Guy Gray product code as manufactured by IPS Corporation.

**Box Material:**

304 Stainless Steel, 20 Gauge

**Valve & Drain Options:**

Qtr. Turn Valve with 1/2" MIP/Sweat connection furnished. 2" Slipnut Drain. Valves comply with ASME A112.18.1.

Item #	Product Description	Model #	Quantity
82170	Stainless Steel Center Drain, 1/2" Qtr. Turn Sweat Valves	SSWB1	5
82172	Stainless Steel Center Drain, 1/2" Qtr. Turn Sweat Valves, Top Mount	SSWB1TM	5

