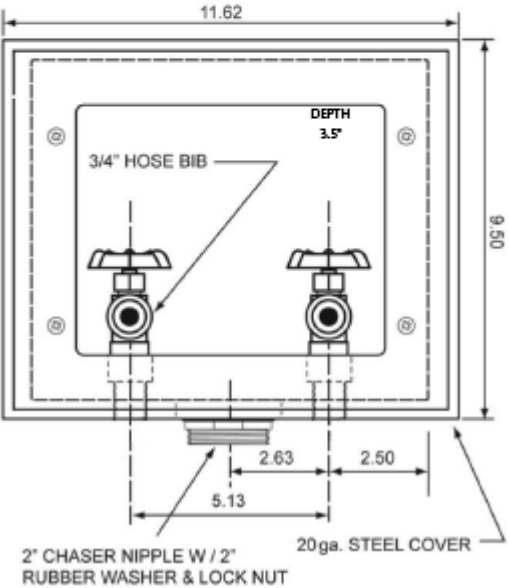
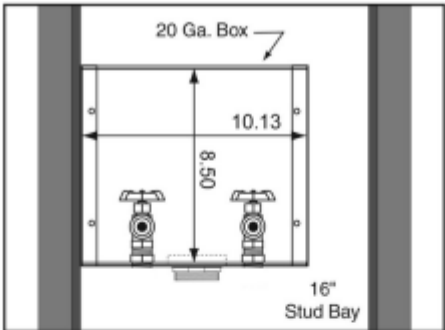
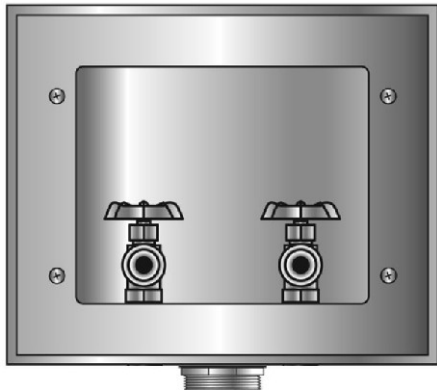




Center Drain Galvanized WMOB  
with Domestic Valves



**Specifications:**

Furnish and install galvanized center drain washing machine outlet box. Unit shall be Guy Gray product code as manufacture by IPS Corporation.

**Box Material:**

G90 Hot Dipped Galvanized Steel (unpainted)  
20 gauge box with 20 gauge faceplate

**Valve & Drain Options:**

Domestic Valve with 1/2" MIP/Sweat, PEX or CPVC connection furnished. 1-1/2" or 2" Threaded Drain. Valves comply with ASME A112.18.1.

Product Code #	Product Description	Model Number	Units/Case
82026	Domestic Valve w/1/2" MIP/Sweat Conx. Valve, 1-1/2" Threaded Drain Fitting	B150	6
82032	Domestic Valve w/1/2" MIP/Sweat Conx. Valve, 2" Threaded Drain Fitting	B200	6
82036	Top Mount 1/2" MIP/Sweat Conx. Valves, 2" Threaded Drain Fitting	BB200TS	6
81974	Domestic Valve w/1/2" Pex Conx., 2" Threaded Drain	B200X	6
81975	Domestic Valve w/1/2" CPVC Conx., 2" Threaded Drain	B200C	6
81957	Outlet Box, less valves, valve holes already punched	B200LV	6
96997	Tamper resistant cover for Models B, BB, WB, FB & BIM	BTRC	6

