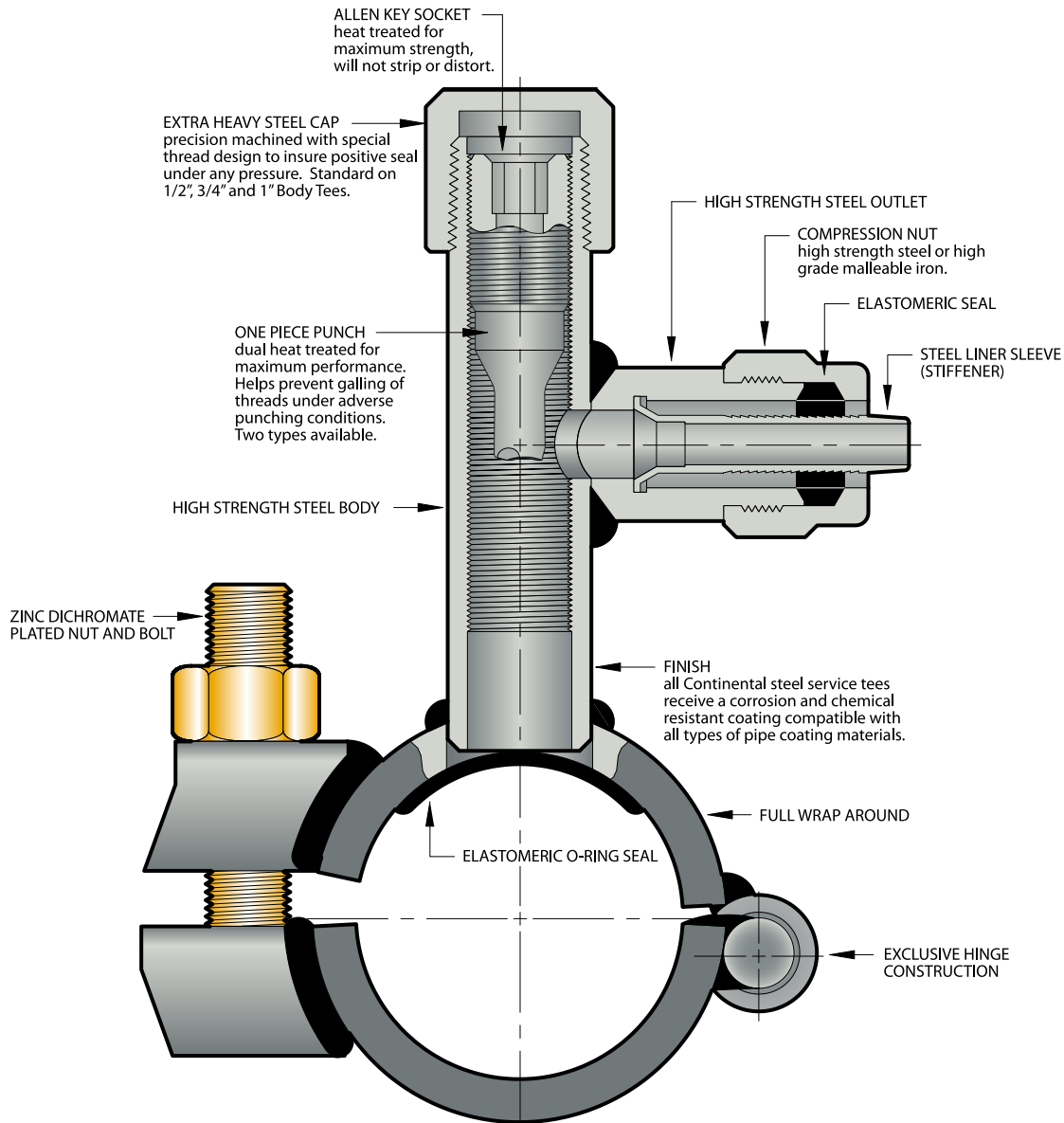




# SADDLE PUNCH TEES

## STEEL SERVICE SADDLE PUNCH TEES WITH PIPE CAP

The Most Foolproof, Versatile, Economical Punch Tee Available!



➤ SAME GREAT FEATURES FOUND ON THE PIPE CAP STYLE PUNCH TEES (SEE PAGE 6)

**PLUS** THE SADDLE PROVIDES;

- RUGGED ALL STEEL CONSTRUCTION
- FULL WRAP AROUND
- ELASTOMERIC O-RING SEAL
- EXCLUSIVE HINGE CONSTRUCTION
- USES SINGLE ZINC DICHROMATE PLATED NUT AND BOLT
- CAN BE USED FOR KEY HOLE APPLICATIONS

NOTE: STANDARD SADDLES TEES ARE FURNISHED WITH OUTLET PERPENDICULAR TO THE MAIN. CONTACT CONTINENTAL FOR OUTLETS PARALLEL TO THE MAIN.



# SADDLE PUNCH TEES



## 1214, 1315, 1416 & 1517 STYLE STEEL SERVICE SADDLE PUNCH TEES PE Compression Outlets

OUTLET	WALL	Body Size	IPS Main Size	PUNCH SIZE	PART NUMBER	
1/2" CTS (5/8" OD)	.090	1/2"	3/4"	3/8" CR	1214-13-1004-00	
		3/4"			1315-13-1004-00	
		1/2"	1"	3/8" CR	1214-14-1004-00	
		3/4"			1315-14-1004-00	
		1/2"	1 1/4"	3/8" CR	1214-15-1004-00	
		3/4"			1315-15-1004-00	
		1/2"	1 1/2"	3/8" CR	1214-16-1004-00	
		3/4"			1315-16-1004-00	
		1/2"	2"	3/8" CR	1214-17-1004-00	
		3/4"			1315-17-1004-00	
		1/2"	3"	3/8" CR	1214-19-1004-00	
		3/4"			1315-19-1004-00	
1/2"	4"	3/8" CR	1214-21-1004-00			
3/4"			1315-21-1004-00			
1/2"	6"	3/8" CR	1214-24-1004-00			
3/4"			1315-24-1004-00			
1" CTS (1 1/8" OD)	.099/.101	3/4"	3/4"	3/8" CR	1315-13-1008-00	
		3/4"	1"	3/8" CR	1315-14-1008-00	
		3/4"	1 1/4"	3/8" CR	1315-15-1008-00	
		1"		3/4" CR	1416-15-1008-00	
		3/4"	1 1/2"	3/8" CR	1315-16-1008-00	
		1"		3/4" CR	1416-16-1008-00	
		3/4"	2"	3/8" CR	1315-17-1008-00	
		1"		3/4" CR	1416-17-1008-00	
		3/4"	3"	3/8" CR	1315-19-1008-00	
		1"		3/4" CR	1416-19-1008-00	
		3/4"	4"	3/8" CR	1315-21-1008-00	
		1"		3/4" CR	1416-21-1008-00	
	3/4"	6"	3/8" CR	1315-24-1008-00		
	1"		3/4" CR	1416-24-1008-00		
	.090	.090	3/4"	3/4"	3/8" CR	1315-13-1008-0A
			3/4"	1"	3/8" CR	1315-14-1008-0A
			3/4"	1 1/4"	3/8" CR	1315-15-1008-0A
			1"		3/4" CR	1416-15-1008-0A
			3/4"	1 1/2"	3/8" CR	1315-16-1008-0A
			1"		3/4" CR	1416-16-1008-0A
3/4"			2"	3/8" CR	1315-17-1008-0A	
1"				3/4" CR	1416-17-1008-0A	
3/4"			3"	3/8" CR	1315-19-1008-0A	
1"				3/4" CR	1416-19-1008-0A	
3/4"			4"	3/8" CR	1315-21-1008-0A	
1"				3/4" CR	1416-21-1008-0A	
3/4"			6"	3/8" CR	1315-24-1008-0A	
1"				3/4" CR	1416-24-1008-0A	

OUTLET	WALL	Body Size	IPS Main Size	PUNCH SIZE	PART NUMBER
1/2" IPS	SDR-9.33 (.090)	1/2"	3/4"	3/8" CR	1214-13-1012-00
		3/4"			1315-13-1012-00
		1/2"	1"	3/8" CR	1214-14-1012-00
		3/4"			1315-14-1012-00
		1/2"	1 1/4"	3/8" CR	1214-15-1012-00
		3/4"			1315-15-1012-00
		1/2"	1 1/2"	3/8" CR	1214-16-1012-00
		3/4"			1315-16-1012-00
		1/2"	2"	3/8" CR	1214-17-1012-00
		3/4"			1315-17-1012-00
		1/2"	3"	3/8" CR	1214-19-1012-00
		3/4"			1315-19-1012-00
1/2"	4"	3/8" CR	1214-21-1012-00		
3/4"			1315-21-1012-00		
1/2"	6"	3/8" CR	1214-24-1012-00		
3/4"			1315-24-1012-00		
3/4" IPS	SDR-11 (.095)	3/4"	3/4"	3/8" CR	1315-13-1013-00
		3/4"	1"	3/8" CR	1315-14-1013-00
		3/4"	1 1/4"	3/8" CR	1315-15-1013-00
		1"		3/4" CR	1416-15-1013-00
		3/4"	1 1/2"	3/8" CR	1315-16-1013-00
		1"		3/4" CR	1416-16-1013-00
		3/4"	2"	3/8" CR	1315-17-1013-00
		1"		3/4" CR	1416-17-1013-00
		3/4"	3"	3/8" CR	1315-19-1013-00
		1"		3/4" CR	1416-19-1013-00
		3/4"	4"	3/8" CR	1315-21-1013-00
		1"		3/4" CR	1416-21-1013-00
3/4"	6"	3/8" CR	1315-24-1013-00		
1"		3/4" CR	1416-24-1013-00		
1" IPS	SDR-11 (.119)	3/4"	3/4"	3/8" CR	1315-13-1014-00
		3/4"	1"	3/8" CR	1315-14-1014-00
		3/4"	1 1/4"	3/8" CR	1315-15-1014-00
		1"		3/4" CR	1416-15-1014-00
		3/4"	1 1/2"	3/8" CR	1315-16-1014-00
		1"		3/4" CR	1416-16-1014-00
		3/4"	2"	3/8" CR	1315-17-1014-00
		1"		3/4" CR	1416-17-1014-00
		3/4"	3"	3/8" CR	1315-19-1014-00
		1"		3/4" CR	1416-19-1014-00
		3/4"	4"	3/8" CR	1315-21-1014-00
		1"		3/4" CR	1416-21-1014-00
3/4"	6"	3/8" CR	1315-24-1014-00		
1"		3/4" CR	1416-24-1014-00		
1 1/4" IPS	SDR-11 (.151)	1 1/4"	2"	1" CR	1517-17-1015-0A
		1 1/4"	3"	1" CR	1517-19-1015-0A
		1 1/4"	4"	1" CR	1517-21-1015-0A
	SDR-10 (.166)	1 1/4"	6"	1" CR	1517-24-1015-0A
		1 1/4"	2"	1" CR	1517-17-1015-00
		1 1/4"	3"	1" CR	1517-19-1015-00
		1 1/4"	4"	1" CR	1517-21-1015-00
		1 1/4"	6"	1" CR	1517-24-1015-00

- For sizes not listed, contact Continental Industries.
- Pressure rating—Designed to meet or exceed pressure rating of PE pipe per 49 CFR Part 192 and ASTM D2513.
- For optional punch sizes, see page 20.
- Recommended accessories;
  - 23-3691-00 ~ 5/16" Hex Drive Key, Bushing and Socket Adapter for 1214 Style Tees (pg 21)
  - 23-3692-00 ~ 3/8" Hex Drive Key, Bushing and Socket Adapter for 1315 Style Tees (pg 21)
  - 23-0941-00 ~ 1/2" Square Drive Key, Bushing and Socket Adapter for 1416 Style Tees (pg 21)
  - 23-0940-00 ~ 1/2" Square Drive Key, Bushing and Socket Adapter for 1517 Style Tees (pg 21)
- For Protective Sleeves, see page 26.
- For additional Accessories, see page 21.



23-3691-00 & 23-3692-00  
Hex Drive Key, Bushing and Socket Adapter  
for 1214 & 1315 Style Tees (pg 21)



23-0941-00 & 23-0940-00  
Hex Drive Key, Bushing and Socket Adapter  
for 1416 & 1517 Style Tees (pg 21)

