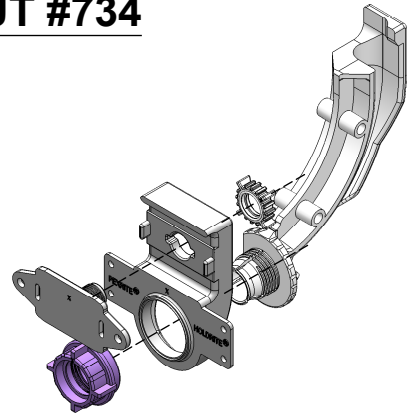
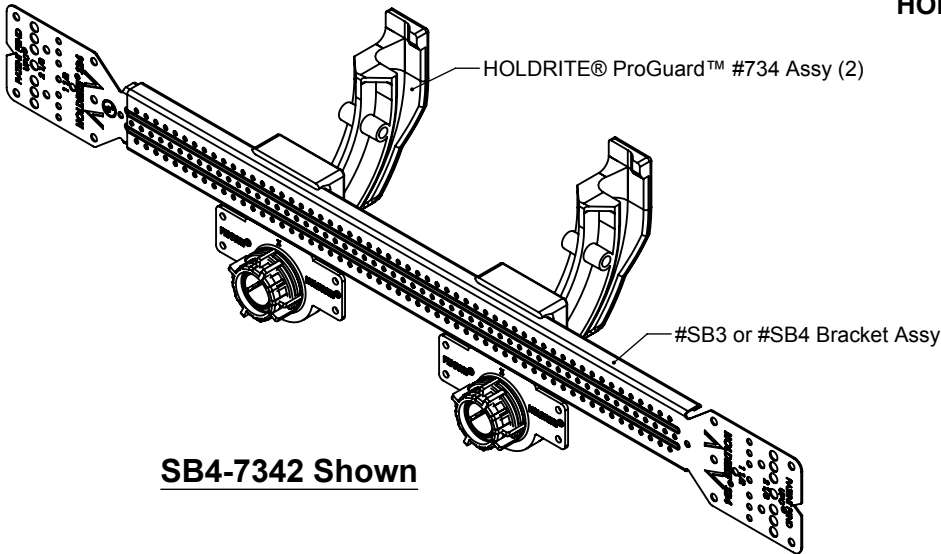


# PRODUCT SPECIFICATION DRAWING

## HOLDRITE® ProGuard™ TURN-OUT #734



**HOLDRITE® ProGuard™ #734 Assy "Exploded"**



**SB4-7342 Shown**

Model	Description
734	734 Assy ONLY
SB3-7341	734 (1) & SB3 (1)
SB3-7342	734 (2) & SB3 (1)
SB4-7341	734 (1) & SB4 (1)
SB4-7342	734 (2) & SB4 (1)

**The HOLDRITE® ProGuard™ Turn-Out #734 support 1/2" PEX tubing. The HOLDRITE® ProGuard™ Turn-Out #734 is for use with #SB3 & #SB4 brackets only.**

### Product Information:

- Material: PVC, White, UL94V-0  
Nylon 6/6, Purple, UL94V-0
- Temperature range: -10 °F to +140 °F
- Load rating: 25 pounds
- UPC / IAPMO pending



THIS INFORMATION IS PROPRIETARY TO HOLDRITE AND IS SUBJECT TO CHANGE WITHOUT NOTICE. IT MAY NOT BE REPRODUCED IN PART OR WHOLE WITHOUT WRITTEN AUTHORIZATION.



CONVERTING MAKESHIFT METHODS INTO ENGINEERED SOLUTIONS<sup>SM</sup>

800-321-0316 OR 760-744-6944 / FAX: 760-744-0507 / WWW.HOLDRITE.COM  
spec\_734\_RevD

Product Submittal	
Job Name:	
Date:	
Part Number:	Qty:
Architect / Owner:	
Contractor:	
Notes:	