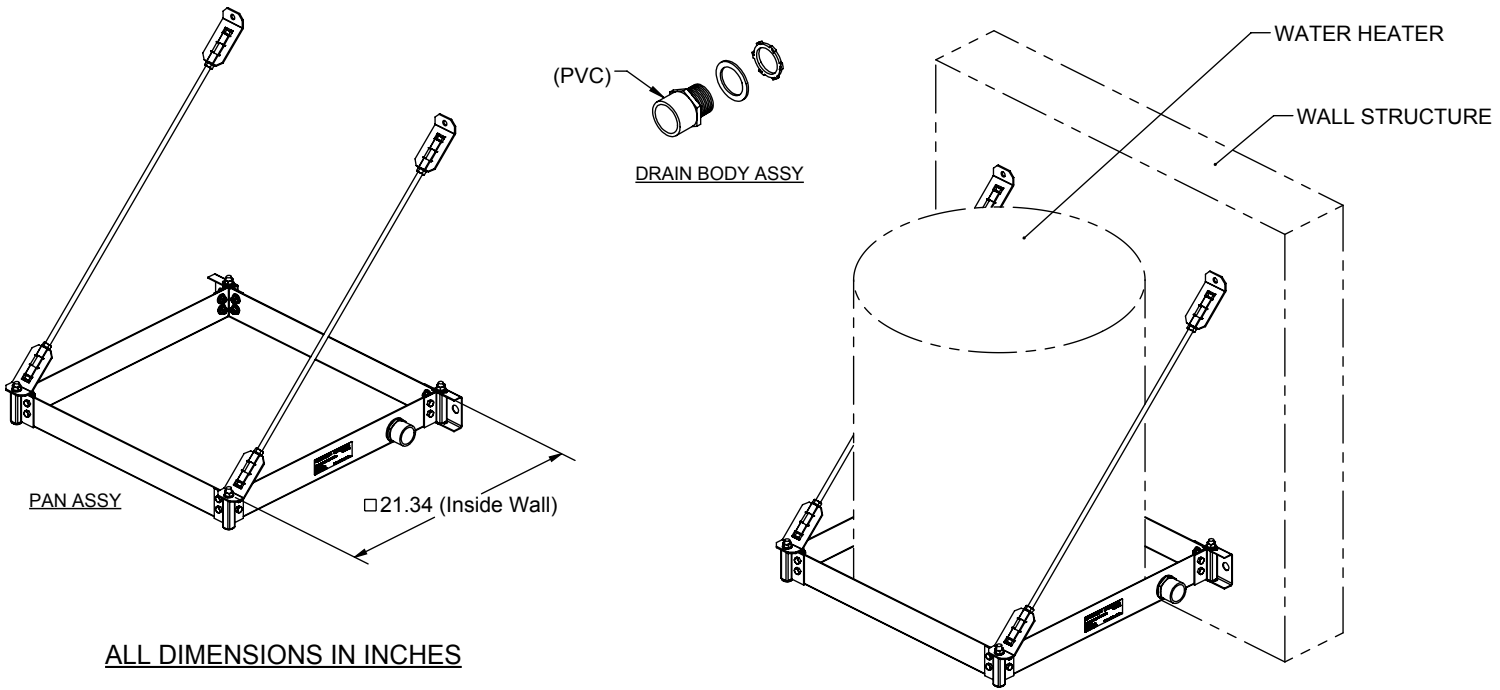


# PRODUCT SPECIFICATION DRAWING

## QUICK STAND™ #40-SWHP-W

### Wall Mounted Equipment Platform

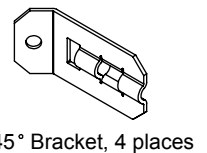
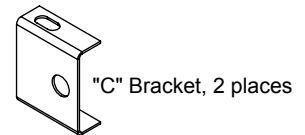


ALL DIMENSIONS IN INCHES

**The Wall Mounted Equipment Platform is engineered to support water heaters up to 20 U.S. gallons (or other equipment up to 375 pounds total weight) mounted to a wall. This item also serves as a drain pan. See Installation Instructions for detail.**

**Product Information:**

- Material:
  - Pan: 14 gage CRS, galvanized
  - Corner Brackets (4): 14 gage CRS, galvanized
  - C-Brackets (2): 16 gage CRS, galvanized
  - 45° Brackets (4): 12 gage, CRS, galvanized
  - Threaded Rod (2): Low carbon steel, zinc plated, 3/8" x 29-3/4" long
- Wide platform allows water heaters up to 21-1/4" diameter
- Watertight corners and drain fittings eliminate need for additional drain pan
- Static load rating 375 pounds with 2X safety factor (depending on structural anchorage)
- Professional Engineer stamped documentation available
- Includes PVC drain body 1" MIPT x 1" FS
- Galvanized steel construction
- Suspends with user supplied 3/8" hardware to mount to wall, 4 places
- Installation instructions for mounting to concrete or framed wall structure available
- Patent Pending



THIS INFORMATION IS PROPRIETARY TO HOLDRITE AND IS SUBJECT TO CHANGE WITHOUT NOTICE. IT MAY NOT BE REPRODUCED IN PART OR WHOLE WITHOUT WRITTEN AUTHORIZATION.



Product Submittal	
Job Name:	
Date:	
Part Number:	Qty:
Architect / Owner:	
Contractor:	
Notes:	