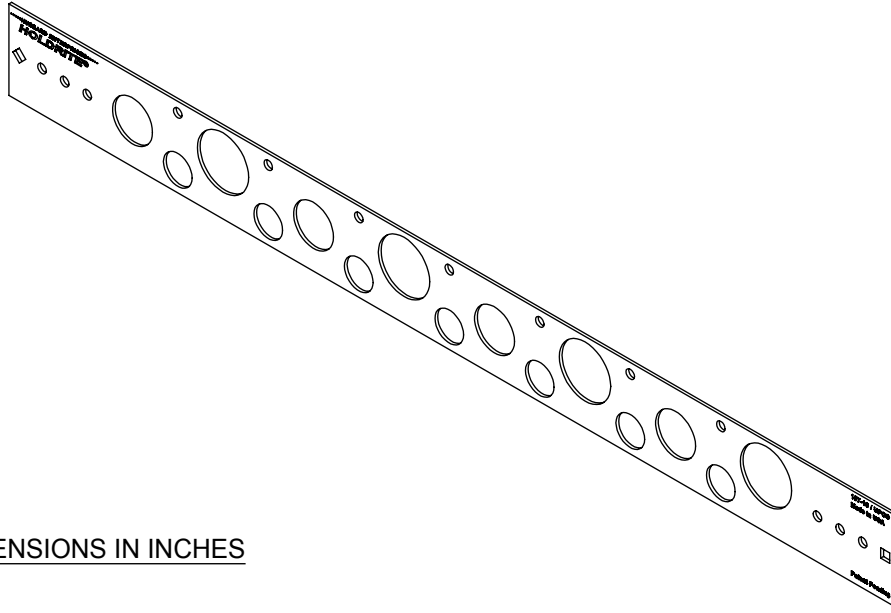
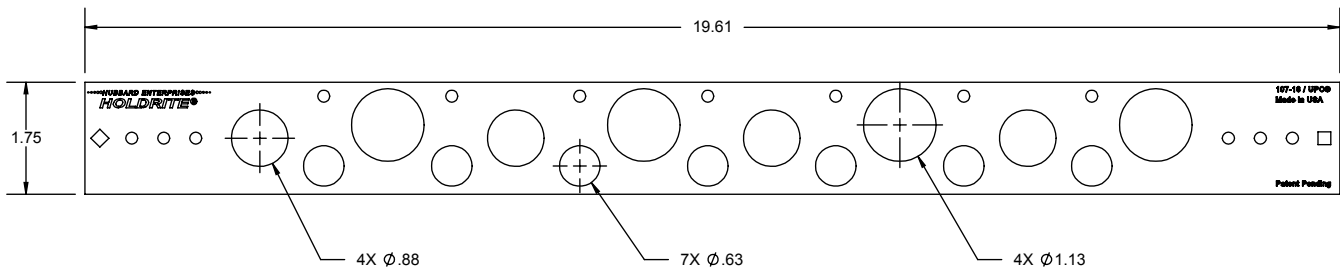


# PRODUCT SPECIFICATION DRAWING HOLDRITE® #107-18 BRACKET



ALL DIMENSIONS IN INCHES



The HOLDRITE #107-18 is a Copper-Bonded™ steel bracket with holes on 2" centers to position 1/2" copper tubing and holes on 4" centers to position 3/4" and 1" copper tubing.

## Product Information:

- Material: 16 gage CRS, Copper-Bonded™
- Load rating: 25 pounds
- UPC / IPC / IAPMO listed



THIS INFORMATION IS PROPRIETARY TO HOLDRITE AND IS SUBJECT TO CHANGE WITHOUT NOTICE. IT MAY NOT BE REPRODUCED IN PART OR WHOLE WITHOUT WRITTEN AUTHORIZATION.



CONVERTING MAKESHIFT METHODS INTO ENGINEERED SOLUTIONS<sup>SM</sup>  
800-321-0316 OR 760-744-6944 / FAX: 760-744-0507 / WWW.HOLDRITE.COM  
spec\_107-18\_RevD

Product Submittal	
Job Name:	
Date:	
Part Number:	Qty:
Architect / Owner:	
Contractor:	
Notes:	