

Discontinued products

The table shows which new products replace discontinued products.

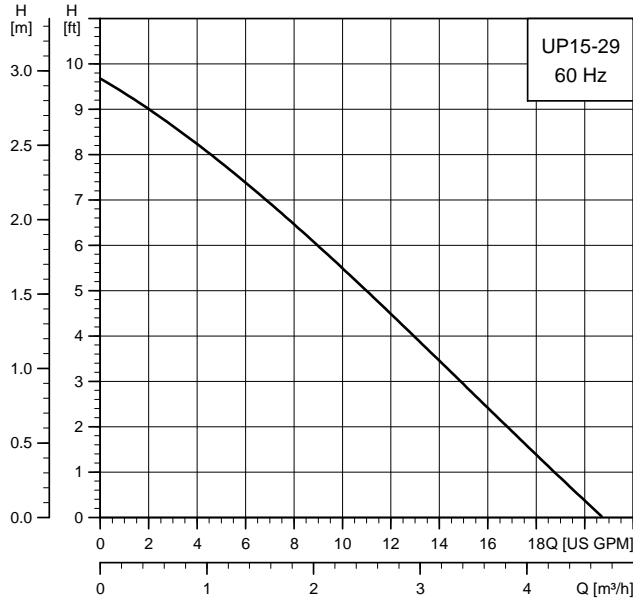
Stainless steel, flanged 115 V			
Old model	Product number	New model	Product number
UP 15-18SF	59896125	UP 15-29SF	59896771
UP 15-42SF	59896171	UPS 15-35SFC	59896772
UPS 15-42SF	59896247	UPS 15-55SFC	59896773
UP 25-64SF	52722322		
Stainless steel, union 115 V			
UP 15-18SU	59896127	UP 15-29SU	59896775
UP 15-18SU/LC	59896231	UP 15-29SU/LC	59896776
UP 15-18SU/TLC	59896232	UP 15-29SU/TLC	59896777
		UPS 15-35SUC	59896778
UP 15-42SU	59896174	UPS 15-35SUC/LC	59896779
		UPS 15-35SUC/TLC	59896780
		UPS 15-55SUC	59896781
UPS 15-42SU, UP 25-64 SU	59896130, 52722322	UPS 15-55SUC/LC	59896782
		UPS 15-55SUC/TLC	59896783
Stainless steel, union 230 V			
UP 15-18SU	59896130	UP 15-29SU	59896784
UP 15-42SU	59896172	UP 15-35SUC	59896785
UP 25-64SU	52722323	UP 15-55SUC	59896786

Stainless steel

Open systems	Product number		Flow		Head		Flanged	Union	NPT	Sweat	Check valve	Timer	Line cord	Page
	115 V	230 V	[gpm]	[m ³ h]	[ft]	[m]								
UP 15-10 SU7P/TLC*	595916	-	0-3	0-7	0-3	0-0.9		•	•		•		•	39
UP 15-29 SF	59896771	-	0-22	0-5.0	0-10	0-3.0	•							42
UP 15-29 SU	59896775	59896784	0-22	0-5.0	0-10	0-3.0		•						42
UP 15-29 SU/LC	59896776	-	0-22	0-5.0	0-10	0-3.0		•					•	42
UP 15-29 SUC/TLC	59896777	-	0-22	0-5.0	0-10	0-3.0		•		•	•		•	42
UP 15-35 SUC	-	59896785	0-22	0-5.0	0-12	0-3.7		•		•				43
UPS 15-35 SFC	59896772	-	0-22	0-5.0	0-12	0-3.7	•			•				44
UPS 15-35 SUC	59896778	-	0-22	0-5.0	0-12	0-3.7		•		•				44
UP 15-35 SUC/TLC	59896780	-	0-22	0-5.0	0-12	0-3.7		•		•	•		•	43
UP 15-55 SUC	-	59896786	0-25	0-5.7	0-18	0-5.5		•		•				52
UPS 15-55 SFC	59896773	-	0-25	0-5.7	0-18	0-5.5	•			•				53
UPS 15-55 SUC	59896781	-	0-25	0-5.7	0-18	0-5.5		•		•				52
UPS 15-55 SUC/TLC	59896783	-	0-25	0-5.7	0-18	0-5.5		•		•	•		•	53
UPS 26-150 SF	95906632	95906633	0-51	0-11.6	0-47	0-14.3	•							66
UPS 43-100 SF	95906638	95906639	0-68	0-15.4	0-33	0-10.0	•							71
UPS 50-60 SF	97523136	97523137	0-125	0-28.4	0-21	0-6.4	•							74

* Note: Comfort system with 3/4" MXF NPT

UP 15-29 SU/SF

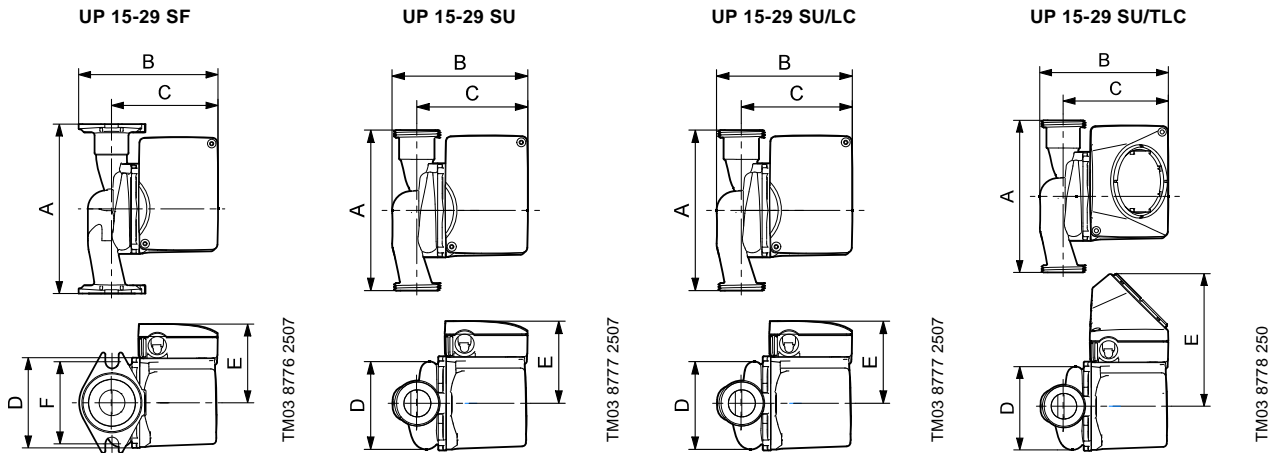


Flow range: 0-20.5 gpm (0-4.7 m³h)
 Head range: 0-9.7 ft (0-2.2 m)
 Motors: 2-pole, single-phase
 Max. liquid: 230 °F (110 °C) and 150 °F
 Min. liquid temperature: 36 °F (2 °C)
 Max. system pressure: 145 psi (10 bar)
 Open system

Note: If the UP pump is equipped with a timer, the maximum liquid temperature is 150 °F (66 °C).

Model	Volts	Amps	Watts	Hp	Capacitor
UP 15-29 SF	115	0.75	87	0.12	10µF/180 V
UP 15-29 SUC		0.75	87	0.12	
UP 15-29 SU	230	0.42	97	0.15	2µF/400 V

Approvals



Model type	Product number		Dimensions [inches]						Connection type and size	Shipping weight [lbs]
	115 V	230 V	A	B	C	D	E	F		
UP 15-29 SF	59896771	-	6.50 (165)	5.50 (140)	4.13 (105)	3.88 (98)	2.94 (75)	3.13 (79)	GF15/26	6.0 (2.7)
UP 15-29 SU	59896775	59896784	5.88 (149)	5.50 (140)	4.13 (105)	3.44 (88)	2.94 (75)	—	GU125	5.4 (2.5)
UP 15-29 SU/LC	59896776	-	5.88 (149)	5.50 (140)	4.13 (105)	3.44 (88)	2.94 (75)	—	GU125	5.7 (2.6)
UP 15-29 SUC/TLC	59896777	-	5.88 (149)	5.50 (140)	4.13 (105)	3.44 (88)	2.94 (75)	—	GU125	6.2 (2.8)

Note: LC/TLC models have 6 ft (1.8 m), 3-prong power cord.
 Dimensions in inches unless otherwise noted.