



GERBER

VITREOUS CHINA
TOILET
VP-21-519

LAVATORIES

TOILETS

BIDETS / URINALS

CAST IRON

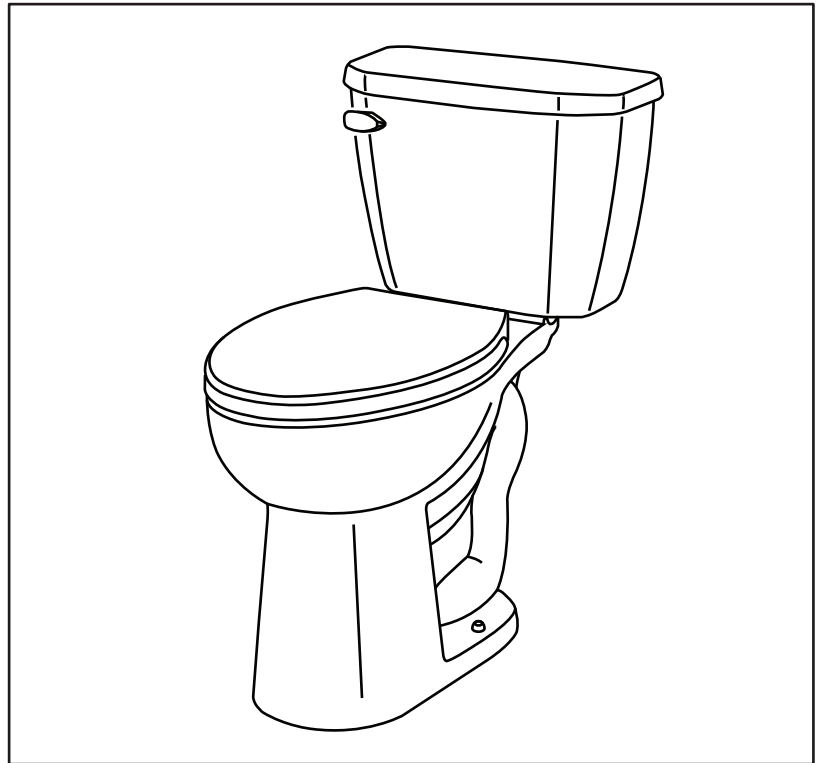


VIPER 1.6 ErgoHeight™ Compact Elongated Toilet

12" Rough-in

Features:

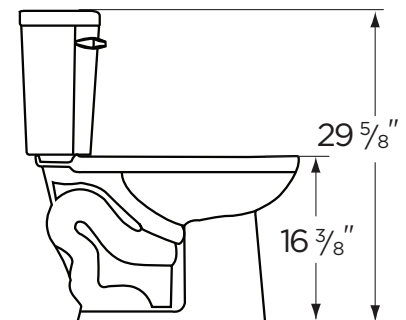
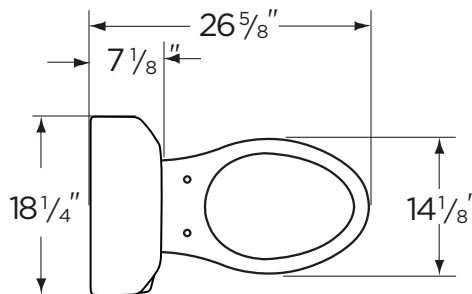
- 1.6 gpf/6.0 Lpf low consumption two-piece toilet
- Elongated ErgoHeight™ bowl
- Compact design fits in round front space
- Dual-fed siphon jet
- Fluidmaster® fill valve
- 3" flush valve
- 2" glazed trapway
- Color matched tank lever
- Available in White and Biscuit
- 2 bolt caps
- ADA Compliant



Dimensions:

- Height 29⁵/₈"
- Width 18¹/₄"
- Depth 26⁵/₈"
- Rough-in 12"
- Water Surface from Rim 6¹/₈"
- Trapway (ave)* 2"
- Water Surface 9⁷/₈" x 6⁷/₈"
- Water Seal 2"
- Shipping Weight 77 lbs

Specifications: Bowl—#HE-21-872 Elongated Bowl Tank—#VP-28-595
Seat not included



THIS FIXTURE QUALIFIES ACCORDING TO ASME TEST PROCEDURES AS A LOW CONSUMPTION WATER CLOSET WITH AN AVERAGE CONSUMPTION OF 1.6 gpf (6.0 Lpf) OR LESS.



www.gerberonline.com

Job Name	
Date	
Model Specified	
Quantity	
Customer	
Contractor	
Architect/engineer	

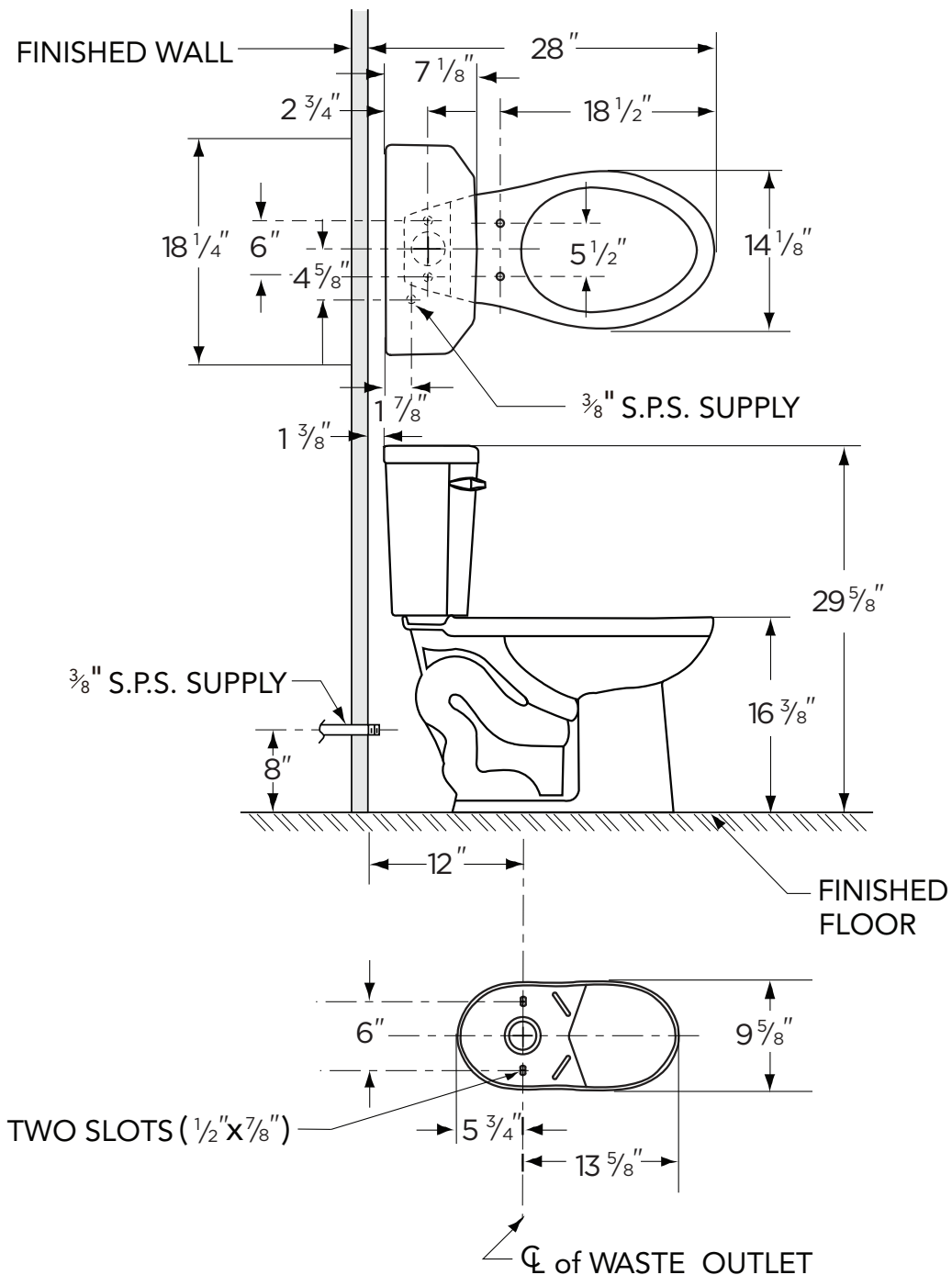


GERBER

Viper™ 1.6

VP-21-519

(Bowl HE-21-872 with Tank VP-28-595)



NOTES:

All dimensions are in inches.

Illustrations may not be drawn to scale.

IMPORTANT:

Dimensions of fixtures are nominal and may vary within the range of tolerances established by ASME Standard A 112.19.2.

THIS FIXTURE QUALIFIES ACCORDING TO ASME TEST PROCEDURES AS A LOW CONSUMPTION WATER CLOSET WITH AN AVERAGE CONSUMPTION OF 1.6 gpf (6.0 Lpf) OR LESS.