



GERBER

www.gerberonline.com

Viper™ 1.6 GPF Round Front Toilet

14" Rough-in

Features:

□ VP-21-504

- Vitreous China
- Combination bowl and tank
- 3" Flush valve with Fluidmaster® fill valve for quiet fill
- 14" Rough-in
- Round Front bowl
- Dual-fed siphon jet action bowl (no splashing)
- 2" Fully Glazed trapway for effective waste removal
- Color matched metal tank lever
- 6 point tank to bowl connection for tank stability
- Sanitary bead for easy cleaning
- Color matched Bolt caps included
- Toilet seat not included



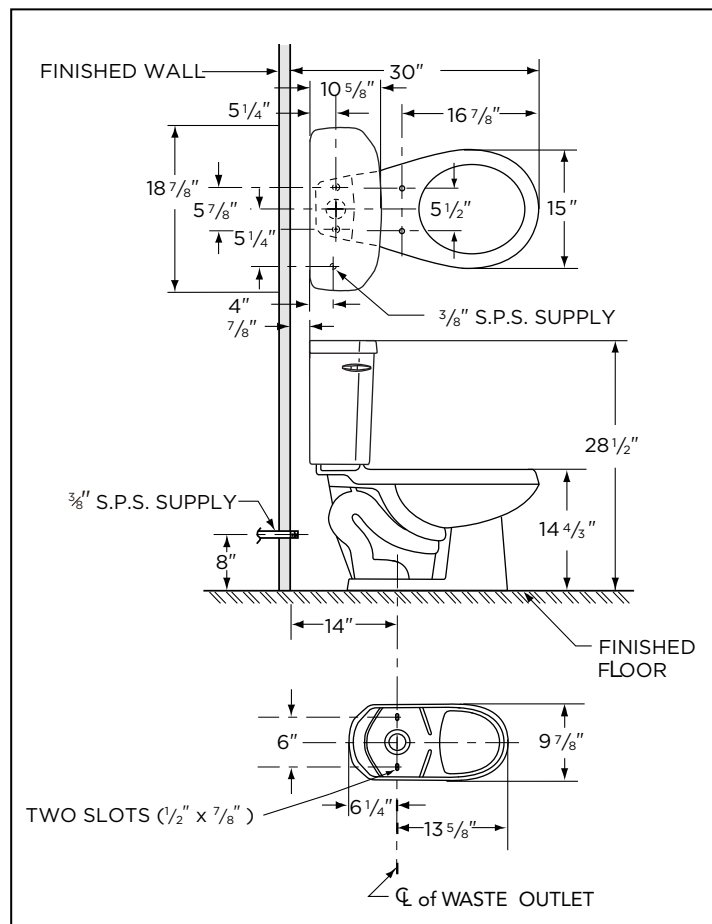
Technical Information:

Included Components:

- Combination VP-21-504
- Bowl VP-21-552
- Tank VP-28-594

Fixtures:

Configuration	two-piece, round front
Water per Flush	1.6 gpf (6 lpf)
Rough-In	14"
Height	28 1/2"
Width	18 7/8"
Depth	29 1/8"
Trapway	2"
Large Water Surface	9 3/8" x 7 1/8"
Shipping Weight	78 lbs



Colors/Finishes:

- White
- Other: Refer to Price Book for additional colors/finishes

Warranty:

- Limited lifetime warranty



NOTES: All dimensions are in inches. Illustrations may not be drawn to scale.

IMPORTANT:

Dimensions of fixtures are nominal and may vary within the range of tolerances established by ASME standard A 112.19.2 THIS FIXTURE QUALIFIES ACCORDING TO ASME TEST PROCEDURES AS A HIGH EFFICIENCY WATER CLOSET WITH AN AVERAGE CONSUMPTION OF 1.28 gpf (4.8 Lpf) OR LESS.