



GERBER

VITREOUS CHINA
TOILET
MX-21-022

LAVATORIES

TOILETS

BIDETS / URINALS

CAST IRON



Maxwell® 1.6 ErgoHeight™ Compact Elongated Back Outlet Toilet

4 1/4" vertical

Features:

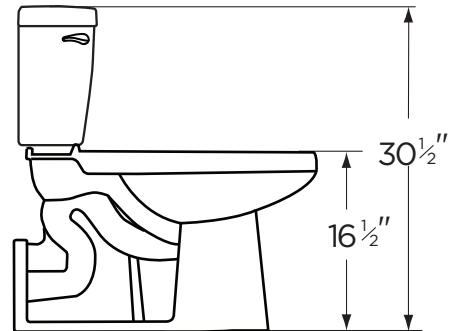
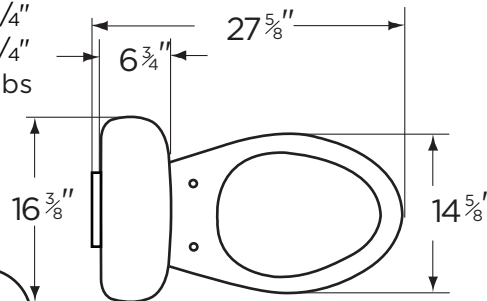
- 1.6 gpf/6.0 Lpf low consumption two-piece toilet
- Floor mount back outlet
- Elongated ErgoHeight™ bowl
- Compact design fits in round front space
- Dual-fed siphon jet
- Fluidmaster® fill valve
- 3" flush valve
- Color matched tank lever
- Available in White
- 2 bolt caps
- ADA compliant
- Toilet seat not included



Specifications: Bowl—#21-975 Elongated Bowl Tank—#MX-28-995

Dimensions:

- Height30 1/2"
- Width16 3/8"
- Depth27 5/8"
- Rough-in4 1/4"
- Water Surface from Rim51/8"
- Trapway (ave) N/A
- Trapway (min) 2"
- Water Surface 9 5/8" x 7 3/4"
- Water Seal 2 1/4"
- Shipping Weight87 lbs



THIS FIXTURE QUALIFIES ACCORDING TO ASME TEST PROCEDURES AS A LOW CONSUMPTION WATER CLOSET WITH AN AVERAGE CONSUMPTION OF 1.6 gpf (6.0 Lpf) OR LESS.



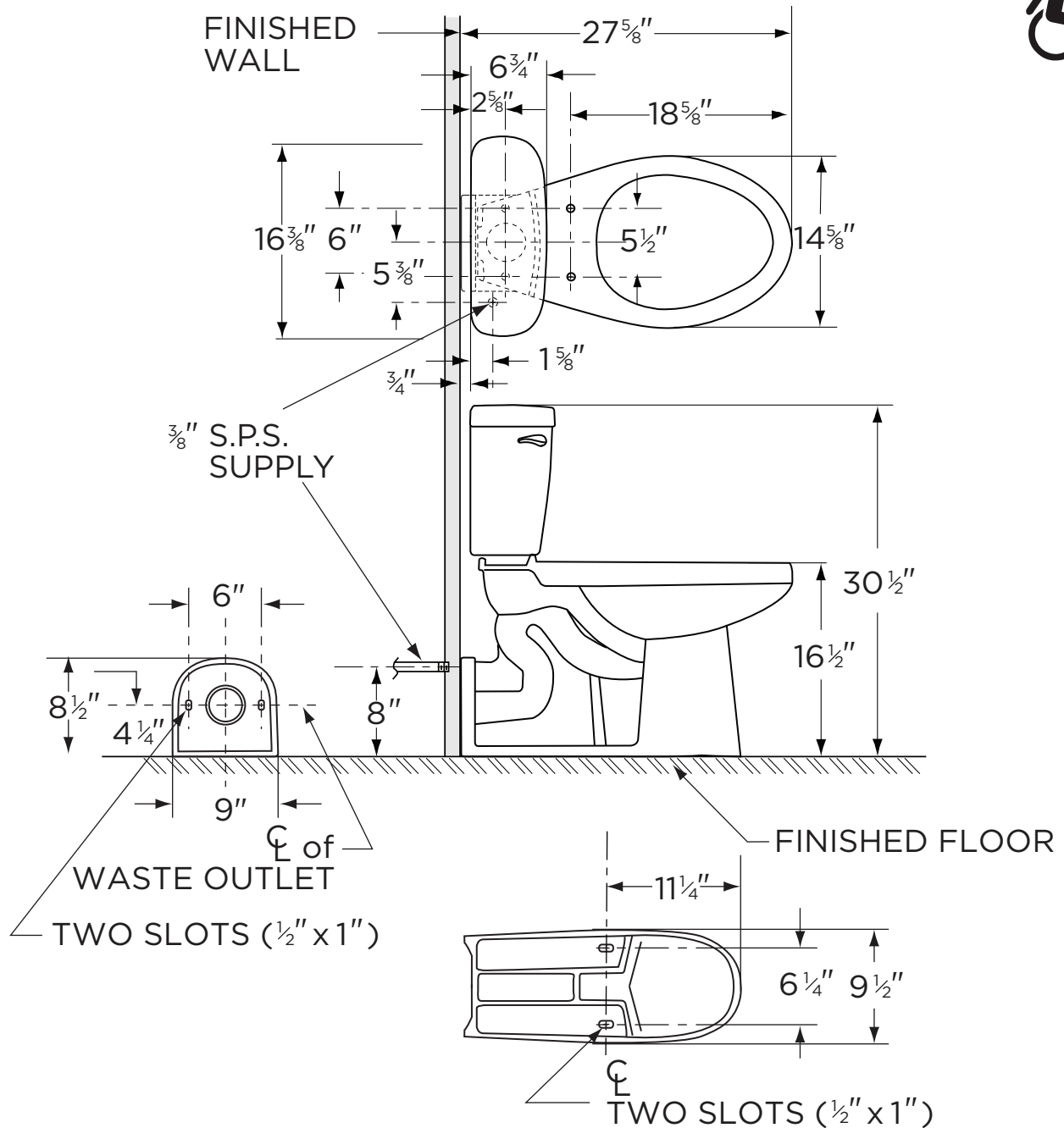
www.gerberonline.com

Job Name	
Date	
Model Specified	
Quantity	
Customer	
Contractor	
Architect/engineer	



GERBER

1.6 gpf (6.0 Lpf) MAXWELL® TOILET
MX-21-022
Compact Elongated Back Outlet
(Bowl 21-975 with Tank MX-28-995)



NOTES:

All dimensions are in inches.

Illustrations may not be drawn to scale.

IMPORTANT:

Dimensions of fixtures are nominal and may vary within the range of tolerances established by ASME Standard A 112.19.2.

THIS FIXTURE QUALIFIES ACCORDING TO ASME TEST PROCEDURES AS A LOW CONSUMPTION WATER CLOSET WITH AN AVERAGE CONSUMPTION OF 1.6 gpf (6.0 Lpf) OR LESS.