



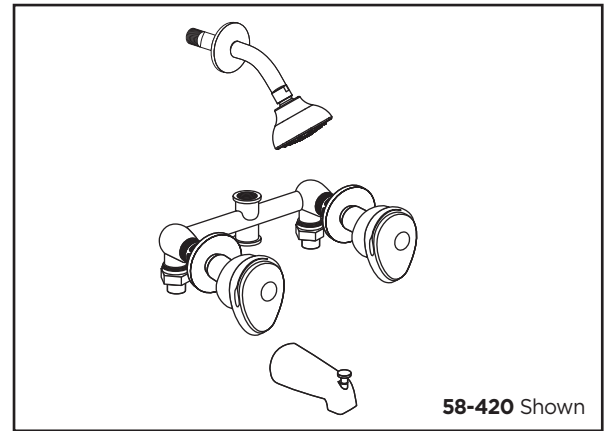
GERBER

58-400 Series Gerber Hardwater® Two Handle Tub/Shower Fittings



Features:

- Ceramaflow ceramic disc cartridges
- Body cast of high copper content brass
- Exposed parts have heavy chrome plated finish
- Working parts can be easily replaced
- Single function showerhead 49-107 at max. 2.0gpm (7.6L/min) WaterSense listed
- 1/2" I.P.S. or Sweat water inlet connections
- 8" centers with sliding sleeve escutcheons or threaded escutcheon
- Zinc die cast spout with internal diverter (ejector tee)

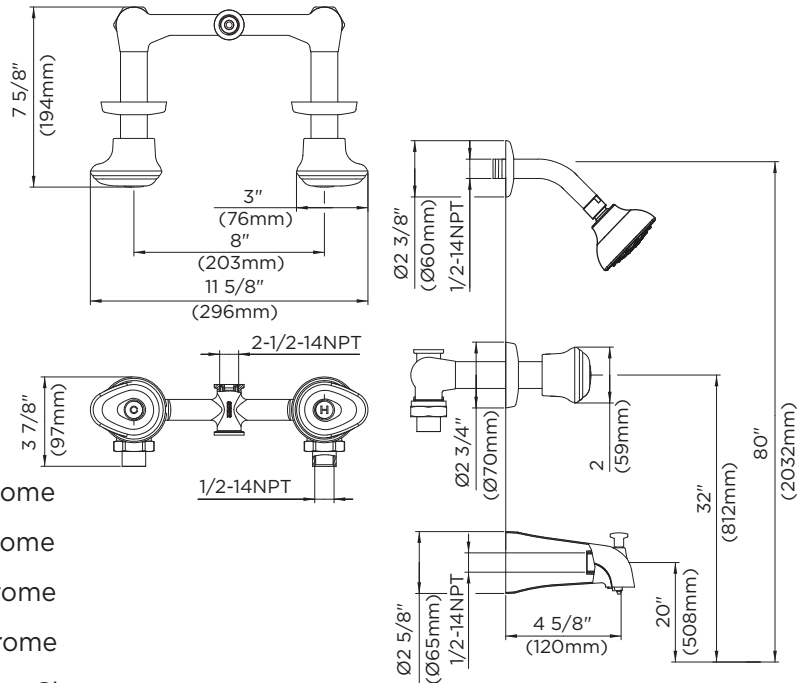


Standards & Certifications:

- ANSI/ASME A112.18.1M
- ICC/ANSI A117.1
- cC/IAPMO
- Watersense

Catalog Numbers:

- 58-400** Tub & Shower, IPS/Sweat, Chrome
- 58-400-82** Tub & Shower, IPS/Sweat, Chrome
- 58-420** Tub & Shower, IPS/Sweat, Chrome
- 58-420-82** Tub & Shower, IPS/Sweat, Chrome
- 58-460** Shower Fitting Only, IPS/Sweat, Chrome



Prefixes Available:

None

Suffixes Available:

-82 Slip Spout Diverter

Job Name	
Date	
Model Specified	
Quantity	
Customer	
Contractor	
Architect/engineer	

Gerber Toll Free Technical Support: 888-648-6466
www.gerberonline.com