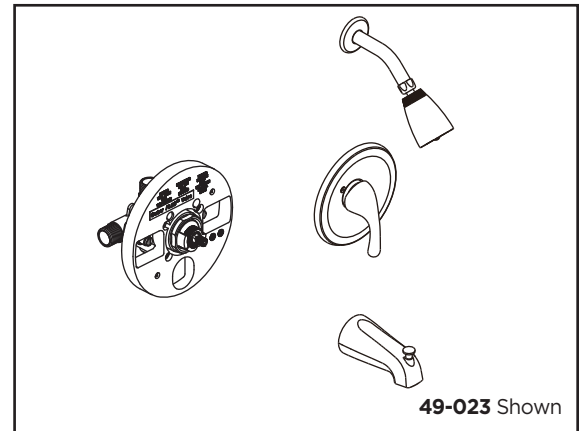




Features:

- Trim and valve sold together
- 2" faceplate
- Trim in chrome
- Valve w/screw stops
- Valve in IPS/sweat connections
- Washerless cartridge with temperature limit stops
- Back to back installation feasible
- Thin wall installation bracket included
- Shower at 2.5GPM @ 80PSI
- Diverter spout in slip/thread Combination
- 4 3/4" tub spout length
- Fully ADA compliant
- Limited lifetime warranty



49-023 Shown

Standards & Certifications:

- ASME A112.18.1M
- ANSI A117.1
- IAPMO/cUPC

Catalog Numbers

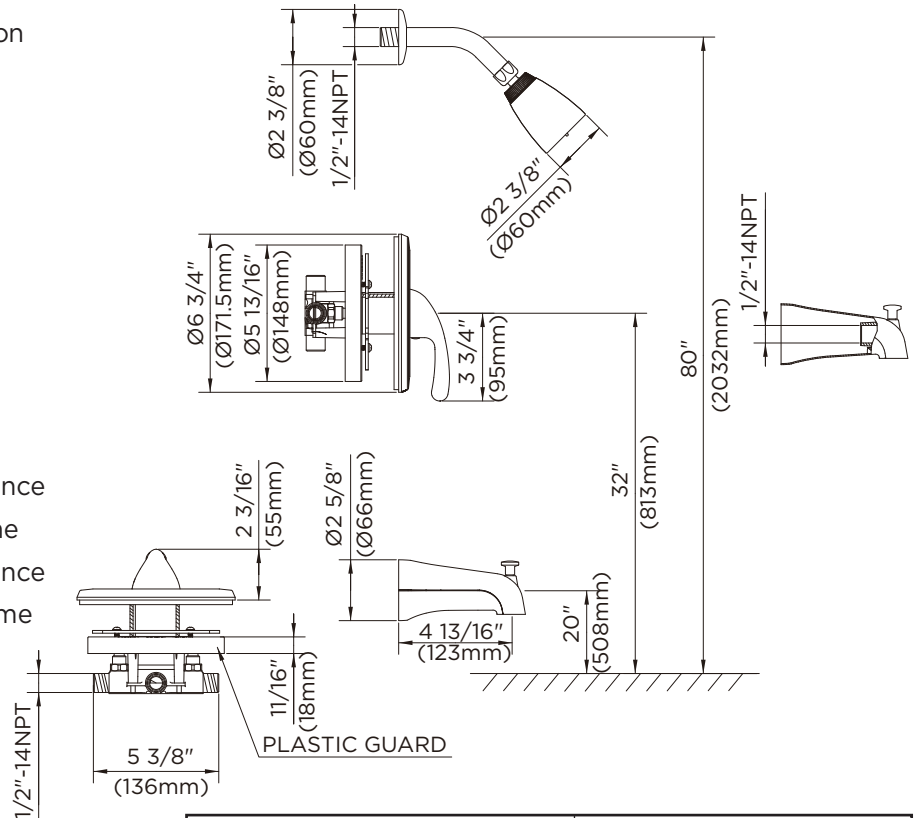
- 49-022** Single Handle Pressure Balance Shower Only Faucet, Chrome
- 49-023** Single Handle Pressure Balance Tub & Shower Faucet, Chrome

Prefixes Available:

None

Suffixes Available:

None



Job Name	
Date	
Model Specified	
Quantity	
Customer	
Contractor	
Architect/engineer	