




# GERBER

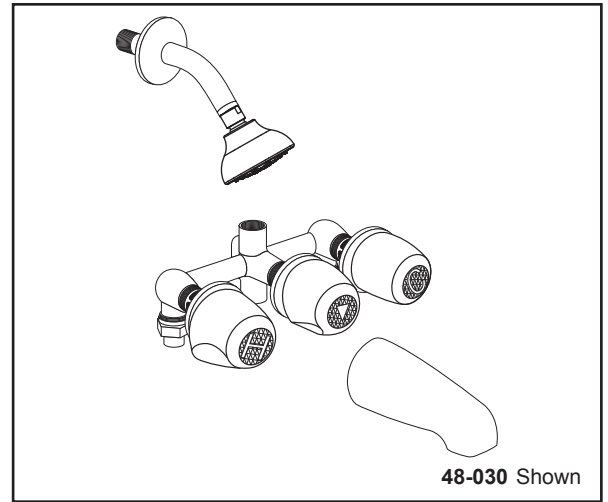
## 48-030 Series

### Three Handle Tub & Shower Fittings



#### Features:

- Compression stems
- Body cast of high copper content brass
- Exposed parts have heavy chrome plated finish
- Working parts can be easily replaced
- Single function showerhead 49-107 at max. 2.0GPM (7.6LPM)  
WaterSense listed 
- 1/2" I.P.S. or 1/2" nominal copper sweat connections
- 8" centers with threaded escutcheons
- ADA compliant metal handles operate with less than 5 lbs. force
- Three valve with center diverter
- Zinc die cast tub spout

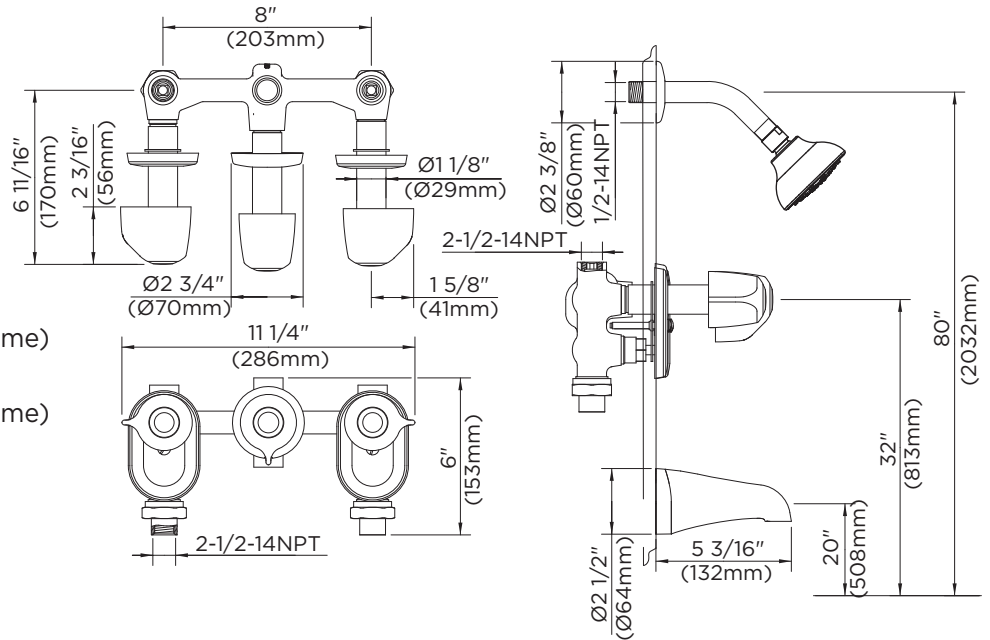


#### Standards & Certifications:

- ANSI/ASME A112.18.1M
- ANSI A117.1 (ADA)
- IAPMO/cUPC

#### Catalog Numbers:

- 48-030** IPS/Sweat (Chrome)
- 48-031** Sweat (Chrome)
- 07-48-030** IPS/Sweat (Chrome)
- 07-48-031** Sweat (Chrome)
- 48-031-81** Sweat (Chrome)
- 07-48-031-81** Sweat (Chrome)



#### Prefixes Available:

07-Metal Fluted Handles

#### Suffixes Available:

-81 Slip Spout Tub Filler

Job Name	
Date	
Model Specified	
Quantity	
Customer	
Contractor	
Architect/engineer	

Gerber Toll Free Technical Support: 888-648-6466  
www.gerberonline.com